

Owner's Manual



WIRE FEED MIG WELDER

Model No.

196.205040

Part # 20504

180 Amp Gas/No Gas Welder



CAUTION: Before using this product, read this manual and follow all its Safety Rules and Operating Instructions.

Español p.33

Sears Brands Management Corporation

For answers to questions
about this Product call
1-800-521-6038 x849

TABLE OF CONTENTS

Craftsman Limited Warranty	2	Align and Set the Drive Roller.....	13
Introduction	2	Install the Welding Wire	13
Safety Summary	3	Set the Wire Drive Tension	15
Safety Information.....	3	Installing Aluminum Wire.....	15
Shock Hazards	4	Change Polarity.....	16
Flash Hazards.....	4	Operation	17
Fire Hazards	5	Controls and Indicators	17
Fume Hazards.....	6	Power Switch	16
Compressed Gasses		Voltage Selectors	16
and Equipment Hazards.....	6	Wire Speed Control.....	16
Additional Safety Information	7	Learning to Weld	18
Welder Specifications	8	Holding the Gun	18
Description	8	Welding Techniques	19
Welder Operating Characteristics... ..	8	Moving the Gun.....	19
Duty Cycle	8	Types of Weld Bead.....	19
Internal Thermal Protection	8	Welding Positions	20
Know Your Welder	9	Multiple Pass Welding.....	21
Welder Installation	10	Special Welding Methods	22
Power Source Connection	10	Spot Welding.....	22
Power Requirements	10	Maintenance	23
Connect to Power Source	10	General	23
Extension Cords	10	Consumable Maintenance.....	23
Assembling the Welder	10	Maintaining the Contact Tip.....	23
Unpacking the Welder	10	Maintaining the Nozzle	23
Packing List	10	Testing for a Shorted Nozzle	24
Assemble the Face Shield.....	11	Replace a Gun Liner	24
Installing the Handle	11	Preventive Maintenance	26
Installing the Feet	11	Troubleshooting.....	26
Selecting Shielding Gas	11	Wiring Diagram	27
Install the Shielding Gas	12	Parts List	28
Check the Gas Flow	12	Suggested Settings	32

WARRANTY

Three-Year Limited Warranty on Craftsman Welder

For three years from the date of purchase, if any part of this welder, except for the gun or cables, fails due to a defect in material or workmanship, return it to your nearest Sears Parts & Repair Center, and it will be repaired free of charge. Sears will repair the gun or cables free of charge for only one year from the date of purchase. This warranty does not cover expendable parts such as contact tips or nozzles, which are consumed during normal welder operation. This warranty applies only while this product is used in the United States. This warranty gives you specific legal rights, and you may also have other rights which vary from state to state.

Sears Brands Management Corporation

INTRODUCTION

This owner's manual provides all of the specific information you need to safely and effectively use your Welder. It contains instructions on safety, set-up, installation and actual Welder operation.

SAFETY SUMMARY

Every craftsman respects the tools with which they work. They know that the tools represent years of constantly improved designs and developments. The true craftsman also knows that tools are dangerous if misused or abused.

Reading this operator's manual before using the welder will enable you to do a better, safer job. Learn the welder's applications and limitations as well as the specific potential hazards peculiar to welding.

IMPORTANT SAFETY INFORMATION

The following safety information is provided as guidelines to help you operate your new welder under the safest possible conditions. Any equipment that uses electrical power can be potentially dangerous to use when safety or safe handling instructions are not known or not followed. The following safety information is provided to give the user the information necessary for safe use and operation.

A procedure step preceded by a **WARNING** is an indication that the next step contains a procedure that might be injurious to a person if proper safety precautions are not heeded.

A procedure step preceded by a **CAUTION** is an indication that the next step contains a procedure that might damage the equipment being used.

A **NOTE** may be used before or after a procedure step to highlight or explain something in that step.

READ ALL SAFETY INSTRUCTIONS CAREFULLY before attempting to install, operate, or service this welder. Failure to comply with these instructions could result in personal injury and/or property damage.

RETAIN THESE INSTRUCTIONS FOR FUTURE REFERENCE.

Note:

- The following safety alert symbols identify important safety messages in this manual.
- When you see one of the symbols shown here, be alert to the possibility of personal injury and carefully read the message that follows.



This symbol indicates that the possibility of electric shock hazard exists during the operation of the step(s) that follow.



This symbol indicates that the possibility of fire hazard exists during the operation of the step(s) that follow.



This symbol indicates that the helmet must be worn during the step(s) that follow to protect against eye damage and burns due to flash hazard.



This symbol indicates that the possibility of toxic gas hazard exists during operation of the step(s) that follow.



This symbol indicates that the possibility of being burned by hot slag exists during operation of the step(s) that follow.



This symbol indicates that the eye protection should be worn to protect against flying debris in the following step(s).



This symbol indicates that the possibility of injury or death exists due to improper handling and maintenance of compressed gas cylinders or regulators.

- Published standards on safety are available. They are listed in **ADDITIONAL SAFETY INFORMATION** at the end of this **SAFETY SUMMARY**.

The National Electrical Code, Occupation Safety and Health Act regulations, local industrial codes and local inspection requirements also provide a basis for equipment installation, use, and service.

SHOCK HAZARD



WARNING

ELECTRIC SHOCK CAN KILL! To reduce the risk of death or serious injury from shock, read, understand, and follow the following safety instructions. In addition, make certain that anyone else who uses this welding equipment, or who is a bystander in the welding area understands and follows these safety instructions as well.

- **IMPORTANT! TO REDUCE THE RISK OF DEATH, INJURY, OR PROPERTY DAMAGE, DO NOT ATTEMPT OPERATION** of this welding equipment until you have read and understand the following safety summary.
- Do not, in any manner, come into physical contact with any part of the welding current circuit. The welding current circuit includes:
 - a. the work piece or any conductive material in contact with it,
 - b. the ground clamp,
 - c. the electrode or welding wire,
 - d. any metal parts on the electrode holder, or wire feed gun.
- Do not weld in a damp area or come in contact with a moist or wet surface.
- Do not attempt to weld if any part of clothing or body is wet.
- Do not allow the welding equipment to come in contact with water or moisture.
- Do not drag welding cables, wire feed gun, or welder power cord through or allow them to come into contact with water or moisture.
- Do not touch welder, attempt to turn welder on or off if any part of the body or clothing is moist or if you are in physical contact with water or moisture.
- Do not attempt to plug the welder into the power source if any part of body or clothing is moist, or if you are in physical contact with water or moisture.
- Do not connect welder work piece clamp to or weld on electrical conduit.
- Do not alter power cord or power cord plug in any way.
- Do not attempt to plug the welder

into the power source if the ground prong on power cord plug is bent over, broken off, or missing.

- Do not allow the welder to be connected to the power source or attempt to weld if the welder, welding cables, welding site, or welder power cord are exposed to any form of atmospheric precipitation, or salt water spray.
- Do not carry coiled welding cables around shoulders, or any other part of the body, when they are plugged into the welder.
- Do not modify any wiring, ground connections, switches, or fuses in this welding equipment.
- Wear welding gloves to help insulate hands from welding circuit.
- Keep all liquid containers far enough away from the welder and work area so that if spilled, the liquid can not possibly come in contact with any part of the welder or electrical welding circuit.
- Replace any cracked or damaged parts that are insulated or act as insulators such as welding cables, power cord, or electrode holder **IMMEDIATELY**.

FLASH HAZARDS



WARNING

ARC RAYS CAN INJURE EYES AND BURN SKIN! To reduce the risk of injury from arc rays, read, understand, and follow the following safety instructions. In addition, make certain that anyone else that uses this welding equipment, or is a bystander in the welding area understands and follows these safety instructions as well. Headshields and filter should conform to ANSI Z87.1 standards.

- Do not look at an electric arc without proper protection. A welding arc is extremely bright and intense and, with inadequate or no eye protection, the retina can be burned, leaving a permanent dark spot in the field of vision. A shield or helmet with a number 10 shade filter lens (minimum) must be used.
- Do not strike a welding arc until all bystanders and you (the welder) have welding shields and/or helmets in place.
- Do not wear a cracked or broken

- helmet and replace any cracked or broken filter lenses IMMEDIATELY.
- To prevent an arc flash from being created on contact do not allow the uninsulated portion of the wire feed gun to touch the ground clamp or grounded work.
 - Provide bystanders with shields or helmets fitted with a #10 shade filter lens.
 - Wear protective clothing. The intense light of the welding arc can burn the skin in much the same way as the sun, even through light-weight clothing. Wear dark clothing of heavy material. The shirt worn should be long sleeved and the collar kept buttoned to protect chest and neck.
 - Protect against REFLECTED ARC RAYS. Arc rays can be reflected off shiny surfaces such as a glossy painted surface, aluminum, stainless steel, and glass. It is possible for your eyes to be injured by reflected arc rays even when wearing a protective helmet or shield. If welding with a reflective surface behind you, arc rays can bounce off the surface, then off the filter lens on the inside of your helmet or shield, then into your eyes. If a reflective background exists in your welding area, either remove it or cover it with something non-flammable and non-reflective. Reflective arc rays can also cause skin burn in addition to eye injury.

FIRE HAZARDS



WARNING

FIRE OR EXPLOSION CAN CAUSE DEATH, INJURY, AND PROPERTY DAMAGE! To reduce the risk of death, injury, or property damage from fire or explosion, read, understand, and follow the following safety instructions. In addition, make certain that anyone else that uses this welding equipment, or is a bystander in the welding area, understands and follows these safety instructions as well. **REMEMBER!** Arc welding by nature produces sparks, hot spatter, molten metal drops, hot slag, and hot metal parts that can start fires, burn skin, and damage eyes.

- Do not wear gloves or other clothing that contains oil, grease, or other flammable substances.
- Do not wear flammable hair preparations.
- Do not touch the hot weld bead or weld puddle until fully cooled.
- Do not weld in an area until it is checked and cleared of combustible and/or flammable materials. **BE AWARE** that sparks and slag can fly 35 feet and can pass through small cracks and openings. If work and combustibles cannot be separated by a minimum of 35 feet, protect against ignition with suitable, snug-fitting, fire resistant, covers or shields.
- Do not weld on walls until checking for and removing combustibles touching the other side of the walls.
- Do not weld, cut, or perform other such work on used barrels, drums, tanks, or other containers that had contained a flammable or toxic substance. The techniques for removing flammable substance and vapors, to make a used container safe for welding or cutting, are quite complex and require special education and training.
- Do not strike an arc on a compressed gas or air cylinder or other pressure vessel. Doing so will create a brittle area that can result in a violent rupture immediately or at a later time as a result of rough handling.
- Do not weld or cut in an area where the air may contain flammable dust (such as grain dust), gas, or liquid vapors (such as gasoline).
- Do not handle hot metal, such as the work piece or electrode stubs, with bare hands.
- Wear leather gloves, heavy long sleeve shirt, cuffless trousers, high-topped shoes, helmet, and cap. As necessary, use additional protective clothing such as leather jacket or sleeves, fire resistant leggings, or apron. Hot sparks or metal can lodge in rolled up sleeves, trouser cuffs, or pockets. Sleeves and collars should be kept buttoned and pockets eliminated from the shirt front.
- Have fire extinguisher equipment handy for immediate use! A portable chemical fire extinguisher, type ABC, is

- recommended.
- Wear ear plugs when welding overhead to prevent spatter or slag from falling into ear.
- Make sure welding area has a good, solid, safe floor, preferably concrete or masonry, not tiled, carpeted, or made of any other flammable material.
- Protect flammable walls, ceilings, and floors with heat resistant covers or shields.
- Check welding area to make sure it is free of sparks, glowing metal or slag, and flames before leaving the welding area.

FUME HAZARDS



WARNING

FUMES, GASSES, AND VAPORS CAN CAUSE DISCOMFORT, ILLNESS, AND DEATH!

To reduce the risk of discomfort, illness, or death, read, understand, and follow the following safety instructions. In addition, make certain that anyone else that uses this welding equipment or is a bystander in the welding area, understands and follows these safety instructions as well.

- Do not weld in an area until it is checked for adequate ventilation as described in ANSI standard #Z49.1. If ventilation is not adequate to exchange all fumes and gasses generated during the welding process with fresh air, do not weld unless you (the welder) and all bystanders are wearing air-supplied respirators.
- Do not heat metals coated with, or that contain, materials that produce toxic fumes (such as galvanized steel), unless the coating is removed. Make certain the area is well ventilated, and the operator and all bystanders are wearing air-supplied respirators.
- Do not weld, cut, or heat lead, zinc, cadmium, mercury, beryllium, or similar metals without seeking professional advice and inspection of the ventilation of the welding area. These metals produce **EXTREMELY TOXIC** fumes which can cause discomfort, illness, and death.

- Do not weld or cut in areas that are near chlorinated solvents. Vapors from chlorinated hydrocarbons, such as trichloroethylene and perchloroethylene, can be decomposed by the heat of an electric arc or its ultraviolet radiation. These actions can cause PHOSGENE, a **HIGHLY TOXIC** gas to form, along with other lung and eye-irritating gasses. Do not weld or cut where these solvent vapors can be drawn into the work area or where the ultraviolet radiation can penetrate to areas containing even very small amounts of these vapors.
- Do not weld in a confined area unless it is being ventilated or the operator (and anyone else in the area) is wearing an air-supplied respirator.
- Stop welding if you develop momentary eye, nose, or throat irritation as this indicates inadequate ventilation. Stop work and take necessary steps to improve ventilation in the welding area. Do not resume welding if physical discomfort persists.

COMPRESSED GASSES AND EQUIPMENT HAZARDS



WARNING

IMPROPER HANDLING AND MAINTENANCE OF COMPRESSED GAS CYLINDERS AND REGULATORS CAN RESULT IN SERIOUS INJURY OR DEATH!

To reduce the risk of injury or death from compressed gasses and equipment hazards, read, understand, and follow the following safety instructions. In addition, make certain that anyone else who uses this welding equipment or a bystander in the welding area understands and follows these safety instructions as well.

- Do not use flammable gasses with MIG welders. Only inert or nonflammable gasses are suitable for MIG welding. Examples are Carbon Dioxide, Argon, Helium, etc. or mixtures of more than one of these gasses.
- Do not attempt to mix gasses or refill a cylinder yourself. Do not expose

cylinders to excessive heat, sparks, slag and flame, etc. Cylinders exposed to temperatures above 130°F will require water spray cooling.

- Do not expose cylinders to electricity of any kind.
- Do not use a cylinder or its contents for anything other than its intended use. Do not use as a support or roller.
- Do not locate cylinders in passageways or work area where they may be struck.
- Do not use a wrench or hammer to open a cylinder valve that cannot be opened by hand. Notify your supplier.
- Do not modify or exchange gas cylinder fittings.
- Do not deface or alter name, number or other markings on a cylinder. Do not rely on cylinder color to identify the contents.
- Do not connect a regulator to a cylinder containing gas other than that for which the regulator was designed.
- Do not attempt to make regulator repairs. Send faulty regulators to manufacturer's designated repair center for repair.
- Do not attempt to lubricate a regulator.
- Always change cylinders carefully to prevent leaks and damage to their walls, valves, or safety devices.
- Always secure cylinders with a steel chain so that they cannot be knocked over.
- Always protect a cylinder, especially the valve, from bumps, falls, falling objects and weather. Remember that gasses in the cylinders are under pressure and damage to a regulator can cause the regulator or portion of the regulator to be explosively ejected from the cylinder.
- Always make certain the cylinder cap is securely in place on the cylinder, whenever the cylinder is moved.
- Always close the cylinder valve and immediately remove a faulty regulator from service, for repair, if any of the following conditions exist:
 - Gas leaks externally.
 - Delivery pressure continues to rise with down stream valve closed.
 - The gauge pointer does not move off the stop pin when pressurized or fails to return to the stop pin after pressure is released.

ADDITIONAL SAFETY INFORMATION

For additional information concerning welding safety, refer to the following standards and comply with them as applicable.

- ANSI Standard Z49.1 – SAFETY IN WELDING AND CUTTING – obtainable from the American Welding Society, 550 NW Le Jeune Road, Miami, FL 33126 Telephone (800) 443-9353, Fax (305) 443-7559 – www.amweld.org or www.aws.org
- ANSI Standard Z87.1 – SAFE PRACTICE FOR OCCUPATION AND EDUCATIONAL EYE AND FACE PROTECTION – obtainable from the American National Standards Institute, 11 West 42nd St., New York, NY 10036 Telephone (212) 642-4900, Fax (212) 398-0023 – www.ansi.org
- NFPA Standard 51B – CUTTING AND WELDING PROCESS – obtainable from the National Fire Protection Association, 1 Batterymarch Park, P.O. Box 9101, Quincy, MA 02269-9101 Telephone (617) 770-3000 Fax (617) 770-0700 – www.nfpa.org
- OSHA Standard 29 CFR, Part 1910, Subpart Q., WELDING, CUTTING AND BRAZING – obtainable from your state OSHA office or U.S. Dept. of Labor OSHA, Office of Public Affairs, Room N3647, 200 Constitution Ave., Washington, DC 20210 – www.osha.gov
- CSA Standard W117.2 – Code for SAFETY IN WELDING AND CUTTING. – obtainable from Canadian Standards Association, 178 Rexdale Blvd., Etobicoke, Ontario M9W 1R3 – www.csa.ca
- American Welding Society Standard A6.0. WELDING AND CUTTING CONTAINERS WHICH HAVE HELD COMBUSTIBLES. – obtainable from the American Welding Society, 550 NW Le Jeune Road, Miami, FL 33126 Telephone (800) 443-9353, Fax (305) 443-7559 – www.amweld.org or www.aws.org

WELDER SPECIFICATIONS

DESCRIPTION

Your new MIG (Metal Inert Gas) wire feed welder is designed for maintenance and sheet metal fabrication. The welder consists of a single-phase power transformer, stabilizer, rectifier, and a unique built-in control/feeder.

Now you can weld sheet metal from 18 gauge up to 1/4 inch thick with a single pass. You can weld thicker steel with beveling and multiple pass techniques. Table 1 lists your MIG welder specifications.

Table 1. Welder Specifications

Primary (input) volts	220 Vac
Primary (input) Amps	22.5
Phase	Single
Frequency	60Hz
Secondary (output) volts	20
Secondary (UL output) amps	150
Open Circuit Volts (Max.)	30 Vdc
Duty Cycle Rating	25%@120A

MIG welders equipped with gas are capable of welding with 0.024 (0.6mm) and 0.030 (0.8mm) solid steel, bronze or aluminum wire on dc reverse polarity and with 0.030 (0.8mm) and 0.035 inch (0.9mm) self-shielding flux-core wire on dc straight polarity. The use of larger diameter wire makes welding difficult and the results cannot be guaranteed. Use of larger than .035 diameter wire is not recommended.

WELDER OPERATING CHARACTERISTICS

DUTY CYCLE

The duty cycle rating of a welder defines how long the operator can weld and how long the welder must be rested and cooled. Duty cycle is expressed as a percentage of 10 minutes and represents the maximum welding time allowed. The balance of the 10-minute cycle is required for cooling. This welder has a duty cycle rating of 25% at the rated output. This means that you can weld for 2.5 minutes out

of 10 with the remaining 7.5 minutes required for cooling. (See Table 2).

Table 2. Duty Cycle Ratings

Duty Cycle Rating	Maximum Welding Time	Required Resting Time
10%	1 minutes	9 minutes
25%	2.5 minutes	7.5 minutes
50%	5 minutes	5 minutes
75%	7.5 minutes	2.5 minutes
100%	10 minutes	0 minutes

INTERNAL THERMAL PROTECTION

CAUTION

Do not constantly exceed the duty cycle or damage to the welder can result. If you exceed the duty cycle of the welder, an internal thermal protector will open, shutting off all welder functions except the cooling fan. If this happens, **DO NOT SHUT OFF THE WELDER.** Leave the welder turned on with the fan running. After cooling, the thermal protector will automatically reset and the welder will function normally again. However you should wait at least ten minutes after the thermal protector opens before resuming welding. You must do this even if the thermal protector resets itself before the ten minutes is up or you may experience less than specified duty cycle performance.

If you find that the welder will not weld for two minutes without stopping, reduce the wire speed slightly and tune in the welder at the lowest wire speed setting that still produces a smooth arc. Welding with the wire speed set too high causes excessive current draw and shortens the duty cycle.

KNOW YOUR WELDER

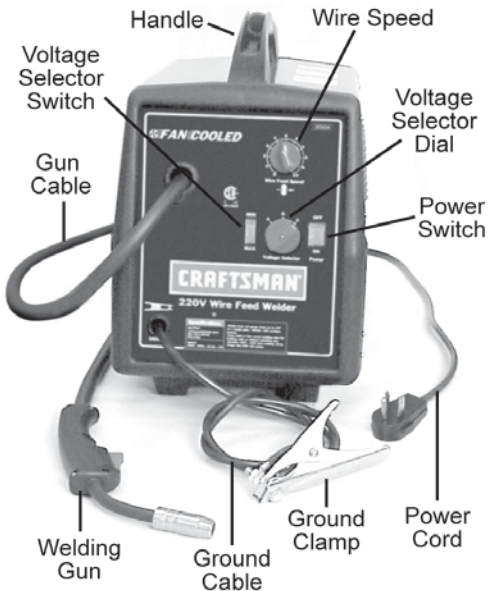


Figure 1. Model 20504 Welder

Handle – Rugged, top mounted handle allows for easy transport of your welder.

Wire Speed Control – Use this dial to adjust the speed at which the welder feeds wire to the gun. 1 is the slowest wire feed speed, 10 is the highest. You will need to adjust or “tune-in” your wire speed for different welding conditions (thickness of metals, gas -vs- gasless welding, metal type, wire size, etc.). When the wire speed is properly “tuned-in” the welding wire will melt into the material you are welding as quickly as it is fed through the welding gun.

Voltage Selectors – The VOLTAGE selectors control the weld heat. There are six voltage (heat) selections available on this welder. Lower voltage (less heat) is achieved by setting the **Voltage Selector Switch** to the MIN position and/or the **Voltage Selector Dial** to A. Higher voltage (more heat) is achieved by setting the **Voltage Selector Switch** to the MAX position and/or the **Voltage Selector Dial** to C. Different materials and material thickness will require different voltage settings. You will need to adjust your voltage accordingly for different welding conditions. By properly adjusting your voltage settings and wire feed speed, you will enable clean, precision welds. (Refer to the Suggested

Settings Chart on p.32 of this manual OR on the inside of the door of the welder.)

Power Switch – This switch turns the welder ON and OFF. (Make sure the power switch is in the OFF position before performing any maintenance on the welder.)

Power Cord – This is a standard, NEMA 6-50P 50 amp 220 volt power cord. (Make sure you are using a properly grounded 220 Vac, 60Hz, single phase, 50 amp power source.)

Ground Clamp – Attaching the ground clamp to your work piece “completes” the welding current circuit. You must attach the ground clamp to the metal you are welding. If the ground clamp is not connected to the metal work piece you intend to weld, the welder will not have a completed circuit and you will be unable to weld. A poor connection at the ground clamp will waste power and heat. Scrape away dirt, rust, scale, oil or paint before attaching the ground clamp.

Ground Cable – The ground cable connects the ground clamp to the internal workings of the welder.

Welding Gun and Cable – The welding gun controls the delivery of the welding wire to the material to be welded. The welding wire is fed through the welding cable and welding gun when the welding gun trigger is pulled. You will need to install a contact tip and welding nozzle to the end of the welding gun, as described later in this manual, prior to welding.

Welding Terms

Now that you are familiar with the main parts of the welder, make note of the following terms. You will see them used throughout this manual.

weld puddle: The localized volume of molten metal in a weld prior to its solidification.

weld angle: The angle of the welding wire, as it extends from the welding gun, in relation to the item being welded.

slag: The protective coating that forms on the surface of molten metal.

arc: A sustained luminous discharge of electricity across a gap in a circuit.

welding bead: The extended build up of a weld, made by pushing or pulling the weld puddle.

WELDER INSTALLATION

SITE SELECTION

Select a clean, dry location with adequate working space around all components. The power supply is fan cooled by air flow through the front and rear panels. This air flow must not be obstructed. Provide at least two feet of space in front of and behind the unit to allow for free flow of air.

POWER SOURCE CONNECTION POWER REQUIREMENTS

This welder is designed to operate on a properly grounded 220 volt, 60Hz, single-phase alternating current (ac) power source fused with a 50 amp time delayed fuse or circuit breaker. It is recommended that a qualified electrician verify the **ACTUAL VOLT-AGE** at the receptacle into which the welder will be plugged and confirm that the receptacle is properly fused and grounded. The use of the proper circuit size can eliminate nuisance circuit breaker tripping when welding. **DO NOT OPERATE THIS WELDER** if the ACTUAL power source voltage is less than 198 volts ac or greater than 240 volts ac. Contact a qualified electrician if this problem exists. Improper performance and/or damage to the welder will result if operated on inadequate or excessive power.

CONNECT TO POWER SOURCE



WARNING

High voltage danger from power source!

Consult a qualified electrician for proper installation of receptacle at the power source. This welder must be grounded while in use to protect the operator from electrical shock. If you are not sure if your outlet is properly grounded, have it checked by a qualified electrician. Do not cut off the grounding prong or alter the plug in any way and do not use any adapters between the welder's power cord and the power source receptacle. Make sure the POWER switch is OFF then connect your welder's power cord to a properly grounded 220 Vac, 60 Hz, single phase, 50 amp power source.

EXTENSION CORDS

For optimum welder performance, an extension cord should not be used unless absolutely necessary. If necessary, care must be taken in selecting an extension cord appropriate for use with your specific welder. Select a properly grounded extension cord that will mate directly with the power source receptacle and the welder power cord without the use of adapters. Make certain that the extension is properly wired and in good electrical condition. Extension cords must be a #12 gauge cord at the smallest. Do not use an extension cord over 25 ft. in length.

ASSEMBLING THE WELDER

The following procedures describe the process required to assemble, install, maintain, and prepare to weld with your new wire feed welder.

UNPACKING THE WELDER

1. Remove any cartons or bags containing parts/accessories. (Most parts are shipped INSIDE the welder door.)
2. Open the cartons or bags packed with your welder and inspect their contents for damage.
3. Layout the parts and compare them to the packing list in Table 3 to familiarize yourself with the parts and what they are called. This will help you when reading the manual.

PACKING LIST

Table 3 contains a list of the items you will find packed in the carton.

Table 3. Packing List

ITEM	QTY.
Welder	1
Face Shield	1
Face Shield Handle	1
Shaded Lens	1
Welder Handle	1
Handle Screws	2
Front and Back Foot	1 ea.
Foot Screws	4
Wire Brush/Hammer	1
Parts Bag	1
Contact Tip 0.024	5
Contact Tip 0.030	5
Contact Tip 0.040	5
Nozzle	2
Wire .030 Fluxcore	1/2 lb.
Manual, Instruction	1

ASSEMBLE THE FACE SHIELD

1. Remove the lens retaining pegs and shield handle nut from the arm of the shield handle. (DO NOT DISCARD!)
 2. Place the shaded lens into the space provided on the inside of the face shield.
 3. Screw the lens retaining nuts into the holes to either side of the lens until they are tight against lens.
 4. Insert threaded peg on shield handle into hole on face shield. Press firmly until threaded peg and smaller peg below it are locked into place.
 5. From inside of shield, screw the shield handle nut tightly onto peg threads.
- See Figure 2 for face shield assembly.

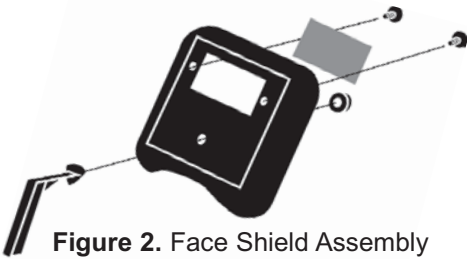


Figure 2. Face Shield Assembly

INSTALLING THE HANDLE

1. Insert the tabs of the welder handle into the slots provided on the top of the welder.
2. Insert a large flat head screw (included in the accessories bag) into each hole on the top of the welder handle.
3. With a flat tip screwdriver, securely tighten both screws. (see Figure 3)

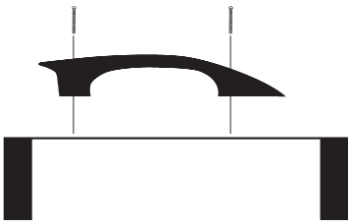


Figure 3. Handle Installation

INSTALLING THE FEET

Locate the two black plastic feet for the welder. (The front foot is slightly larger than the back foot.)

1. Lay the welder on its side.
2. Align the holes of the front foot with the front screw holes on the bottom of the welder. The curved face of the front foot should face the front of the welder.

3. Insert the two Phillips head screws (included in the accessories bag) into the holes.
4. With a Phillips head screwdriver, securely tighten both screws.
5. Align the holes of the back foot with the rear screw holes on the bottom of the welder. The curved face of the back foot should face the rear of the welder.
6. Insert the two Phillips head screws (included in the accessories bag) into the holes.
7. With a Phillips head screwdriver, securely tighten both screws. (see Figure 4)

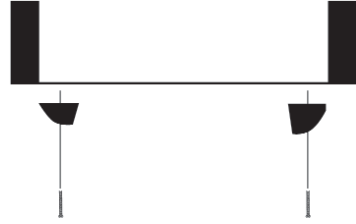


Figure 4. Feet Installation

SELECTING SHIELDING GAS

The shielding gas plays an extremely important role in the MIG welding process. It is critical that the molten weld puddle be shielded from the atmosphere. The shielding gas creates a protective pocket around the weld puddle which keeps impurities in the air from infecting the weld. Inadequate shielding will result in porous, brittle welds.

Although there are many gasses and gas mixtures available for MIG welding, the following recommendations are based on the electrical output characteristics and metal thickness capabilities of this specific MIG welder.

Gas Selection For Steel Welding With Steel Wire

For either mild or low carbon (High Strength Structural) steel, use a gas mixture of 75% Argon and 25% Carbon Dioxide. DO NOT USE Argon gas concentrations higher than 75% on steel. The result will be extremely poor penetration, porosity, and brittleness of weld.

This gas mixture helps to prevent burn through and distortion on very thin steel yet provides good penetration on thicker steel.

Its ability to minimize spatter results in clean, smooth weld appearances. In addition, it provides good puddle control when welding vertically or overhead.

Gas Selection For Stainless Steel Welding

The best shielding gas for stainless steel welding is a mixture of 90% Helium, 7.5% Argon, and 2.5% Carbon Dioxide. However, 100% Argon can also be used, but an increase in the area being heated by the arc will be experienced causing slightly greater distortion of the base metal.

Gas Selection For Steel Welding With Silicon Bronze Wire

Use only pure Argon when welding steel with Silicon-Bronze wire.

Gas Selection For Aluminum Welding with Aluminum Wire

Use only pure Argon when welding aluminum.

INSTALL THE SHIELDING GAS



WARNING

IMPROPER HANDLING AND MAINTENANCE OF COMPRESSED GAS CYLINDERS AND REGULATORS CAN RESULT IN SERIOUS INJURY OR DEATH!

Always secure gas cylinders to the welding cart, a wall, or other fixed support to prevent the cylinder from falling over and rupturing. Read, understand, and follow all the COMPRESSED GASSES AND EQUIPMENT HAZARDS in the SAFETY SUMMARY at the front of this manual. Secure your gas cylinder to the welding cart, or other fixed support.

1. Remove the protective cap from the cylinder and inspect the regulator connecting threads for dust, dirt, oil, and grease. Remove any dust or dirt with a clean cloth. **DO NOT ATTACH YOUR REGULATOR IF OIL, GREASE, OR DAMAGE ARE PRESENT.**
2. Open the cylinder valve **FOR JUST AN INSTANT** to blow out any foreign matter inside the valve port. Never aim the open valve cylinder port at yourself or bystanders.
3. Screw the regulator into the cylinder

valve and tighten with a wrench.

4. Firmly push the gas hose over barbed fittings on back of welder and regulator.
5. Secure both ends of hose onto barbed fittings with hose clamps.

CHECK THE GAS FLOW



WARNING

IMPROPER HANDLING AND MAINTENANCE OF COMPRESSED GAS CYLINDERS AND REGULATORS CAN RESULT IN SERIOUS INJURY OR DEATH.

To reduce the risk of injury or death, always stand to the side of the cylinder opposite the regulator when opening the cylinder valve, keeping the cylinder valve between you and the regulator. Never aim the open cylinder valve port at yourself or bystanders. Failure to comply with this warning could result in serious personal injury.

Note: If the cylinder you have is equipped with male regulator connecting threads instead of female, you will need to obtain a special compressed gas cylinder adapter from your gas supplier to install between your gas cylinder and regulator.

- The gas control function does not require the welder to be turned on or plugged in.
- To avoid damage to your regulator, make sure you have the regulator valve closed before opening the cylinder valve.

1. Slowly crack open the cylinder valve, then turn open **ALL THE WAY**.
2. Pull the trigger on the gun to allow the gas to flow. **KEEP THE TRIGGER PULLED.** Listen and feel for gas flowing from the end of the welding gun. If your regulator has no adjustment, it has been preset at the factory for a flow of 20 cubic feet per hour. If your gas regulator has an adjustment to control the gas flow rate, turn the adjustment key clockwise to increase gas flow; counter-clockwise to reduce flow. For most welding, the gas flow should be set at 15-20 cubic feet per hour. If no gas is heard or felt, verify all steps involved in connecting the gas.
3. Release the trigger.

Note: If welding outside or in a draft, it may become necessary to set up a wind break to keep the shielding gas from being blown from the weld area.

-MAKE SURE TO TURN OFF THE GAS CYLINDER VALVE WHEN DONE WELDING.

ALIGN AND SET THE DRIVE ROLLER

Before installing any welding wire into the unit, the proper sized groove must be placed into position on the wire drive mechanism.

Change the drive roller according to the following steps:

1. Remove the drive tension by unscrewing the tension adjusting screw (ALL THE WAY in a counterclockwise direction). The drive tension screw will come loose, allowing you to pull the drive tension arm up away from the drive roller. Make sure to keep the screw and the spring in place with the drive tension arm.
2. If there is wire already installed in the welder, roll it back onto the wire spool by hand-turning the spool counter-clockwise. Be careful not to allow the wire to come out of the rear end of the gun without holding onto it or it will unspool itself. Put the end of the wire into the hole on the outside edge of the wire spool and bend it over to hold the wire in place. Remove the spool of wire from the welder.
3. Loosen the drive roller set screw with the provided hex wrench and pull the drive roller off the drive shaft.

Note: The drive roller has two wire size grooves built into it. When installing the drive roller the number stamped on the drive roller for the wire size you are using should be facing away from you. If you can read the wire size you are using on the drive roller, it is installed backwards. Use only the proper size drive roller when using your welder.

4. Find the side of the drive roller that is stamped with the same wire diameter as that of the wire being installed (see Figure 5). Push the drive roller onto the motor shaft, aligning the set screw with the flat side of the drive shaft. Make sure

the side stamped with the desired wire diameter is away from you.

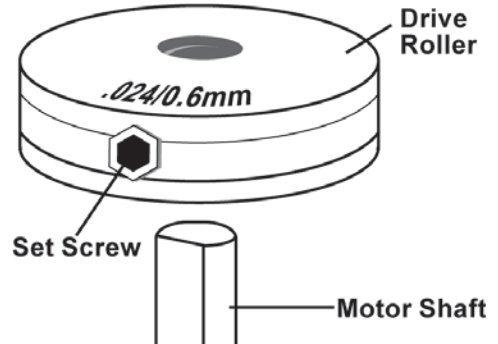


Figure 5. Drive Roller

5. Slide the roller onto the shaft so that the groove in the roller lines up with the inlet tube and the welding gun liner.
6. Tighten the set screw, while holding the drive roller in place.

INSTALL THE WELDING WIRE



WARNING

Electric shock can kill! Always turn the POWER switch OFF and unplug the power cord from the ac power source before installing wire.

Be very careful when removing the welding nozzle. The contact tip on this welder is electrically hot as long as POWER is turned ON. Make certain POWER is turned OFF.

1. Remove the nozzle and contact tip from the end of the gun assembly.
2. Make sure the proper groove on the drive roller is in place for the wire being installed. If the proper groove is not in place, change the drive roller as described above.
3. Unwrap the spool of wire and then find the leading end of the wire (it goes through a hole in the outer edge of the spool and is bent over the spool edge to prevent the wire from unspooling), BUT DO NOT UNHOOK IT YET.
4. Place the spool on the spindle in such a manner that when the wire comes off the

spool, it will look like the top illustration in Figure 6. The welding wire should always come off the top of the spool into the drive mechanism.

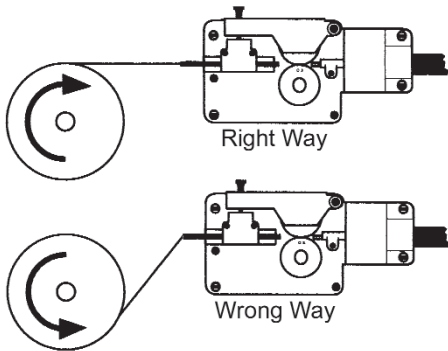


Figure 6. Wire Installation

5. If you are installing a four-inch spool of wire, install the drive brake hardware on the top of the spool of wire according to figure 7A. If you are installing an eight-inch spool, install the spindle adapter and drive brake hardware as shown in Figure 7B. The purpose of the drive brake is to cause the spool of wire to stop turning at nearly the same moment that wire feeding stops.

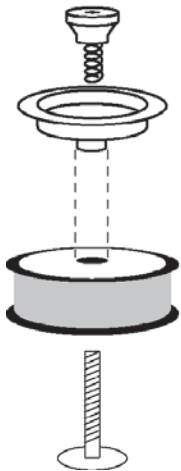


Figure 7A. Drive Brake Hardware Installation

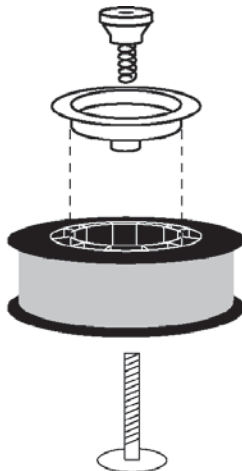


Figure 7B. Spindle Adapter and Drive Brake Installation

6. Once the drive brake hardware is installed, set the spool tension.
 - a) With one hand, turn the wire spool and

continue turning it while adjusting the tension on the spool.

- b) With your free hand, tighten (turn clockwise) the drive tension adjustment knob.
- c) Stop tightening when drag is felt on the wire spool that you are turning, then stop hand-turning the wire spool.

Note: If TOO MUCH tension is applied to the wire spool, the wire will slip on the drive roller or will not be able to feed at all. If TOO LITTLE tension is applied, the spool of wire will want to unspool itself. Readjust the drive brake tension as necessary to correct for either problem.

7. After checking to make sure that your welder is disconnected from the ac power source, free the leading end of the wire from the spool, but do not let go of it until told to do so, or the wire will unspool itself.
8. Using a wire cutter, cut the bent end off the leading end of the wire so that only a straight leading end remains.
9. Loosen the tension adjusting knob holding the drive tension arm in place and lift the tension arm up off the drive roller.
10. Insert the leading end of the wire into the inlet guide tube. Then push it across the drive roller and into the gun assembly about six inches.

CAUTION

Make certain that the welding wire is actually going into the gun liner. Be very sure it has not somehow been accidentally routed alongside the liner or even in some other direction. If this should happen, the wire could feed inside the cable casing or take a right angle and follow the wires and gas hose inside the welder. It could also feed back on itself jamming up the mechanism.

11. Line the wire up in the inside groove of the drive roller, then allow the drive tension arm to drop onto the drive roller.
12. Flip the quick release drive tensioner back up into position on the drive tensioner arm.
13. Tighten (turn clockwise) the drive tension adjusting knob until the tension roller is applying enough force on the wire to prevent it from slipping out of the drive assembly.
14. Let go of the wire.
15. Connect the welder power cord to the ac

power source. Turn the welder ON. Set the VOLTAGE switch and dial to the voltage (heat) settings recommended for the gauge metal that is to be welded. Refer to the label mounted on the cover, inside the drive compartment, for recommended voltage (heat) settings for your welding job. The VOLTAGE selectors control the weld heat. There are six voltage (heat) selections available on this welder.

Placing the voltage switch in MIN position, and the voltage dial in position A provides the lowest voltage (heat).

Placing the voltage switch in MAX position, and the voltage dial in position C provides the highest voltage (heat).

16. Set the WIRE SPEED control to the middle of the wire speed range.
17. Straighten the gun cable and pull the trigger on the welding gun to feed the wire through the gun assembly.
18. When at least an inch of wire sticks out past the end of the gun, release the trigger.
19. Select a contact tip stamped with the same diameter as the wire being used.

Note: Due to inherent variances in flux-cored welding wire, it may be necessary to use a contact tip one size larger than your flux core wire if wire jams occur.

20. Slide the contact tip over the wire (protruding from the end of the gun). Thread the contact tip into the end of the gun and hand-tighten securely.
21. Install the nozzle on the gun assembly. For best results, coat the inside of the nozzle with anti-stick spray or gel.
22. Cut off the excess wire that extends past the end of the nozzle.

SET THE WIRE DRIVE TENSION



WARNING

Arc flash can injure eyes! To reduce the risk of arc flash, make certain that the wire coming out of the end of the gun does not come in contact with work piece, ground clamp or any grounded material during the drive tension setting process or arcing will occur.

1. Pull the trigger on the gun.
2. Turn the drive tension adjustment knob clockwise, increasing the drive tension until the wire seems to feed smoothly without slipping.

When set correctly, there should be no slippage between the wire and the drive roller under normal conditions. If an obstruction occurs along the wire feed path, the wire should then slip on the drive roller.

After the tension is properly adjusted, the quick release drive tensioner may be unlocked and relocked and no readjustment of the drive tension adjustment knob will be necessary (unless the diameter or type of wire is changed).

INSTALLING ALUMINUM WIRE

Install aluminum wire the same as steel wire, but with the following exceptions:

1. Install a teflon liner in the welding gun.
2. Adjust the drive tension VERY carefully. Aluminum wire is very sensitive to slight changes in drive tension.

Note: For welding aluminum with this unit, 5356 alloy wire is recommended because of its superior feedability. A teflon liner is needed. When welding with softer aluminum alloys, you may experience feed problems. For best results with aluminum it may be necessary to use a spool gun.

CHANGE POLARITY

This welder allows you the capability to change the welding current polarity. You may select either dc Straight (dc - Flux Cored) or dc Reverse Polarity (dc + MIG). For welding steel with solid wire, stainless steel, flux cored hardfacing of steel, and silicon bronze welding of steel, select dc Reverse Polarity (dc + MIG). When using self-shielding, flux-core steel wire, use dc Straight Polarity (dc - Flux Cored).

Change the polarity of your welder according to the following procedure steps. Figure 8 shows what the polarity block should look like for each polarity setting.



WARNING

Electric shock can kill! Always turn the power OFF and unplug the power cord from the ac power source before changing polarity.

CAUTION

Do not use a ratchet, crescent or other lever type wrench to tighten knobs on the polarity block. The nuts must be hand tightened only. Too much torque applied to one of the knobs could cause the knob to break off.

1. Remove the retaining knobs from the + and - mounting posts on the Gas/No Gas Board, located just below the drive motor on the inside of your welder.
 - A. For Gasless welding, mount the Ground Clamp ring terminal to the "+" mounting post and the Torch ring terminal to the "-" mounting post.
 - B. For Gas (MIG) welding, mount the Ground Clamp ring terminal to the "-" mounting post and the Torch ring terminal to the "+" mounting post.

See configuration shown in Figure 8.

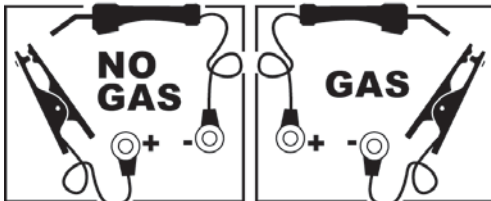


Figure 8. Changing Polarity

2. Attach the ground clamp to the work piece, making sure that it is cleaned of dirt, oil, rust, scale, oxidation, and paint at the point of connection.

Note: It is best to connect the ground clamp directly to the work piece and as close to the weld as possible. If it is impractical to connect the ground clamp directly to the work piece, connect it to metal that is securely attached to the work piece, but not electrically insulated from it. Make certain this other metal is of equal or greater thickness than that of the workpiece.



CAUTION

Risk of electric component damage! If the ground clamp is being connected to an automobile or other equipment with on-board computer systems, solid state electronic controls, solid state sound systems, etc., do not weld until disconnecting the battery that is attached to the chassis ground. Failure to do so may result in electronic component damage.

OPERATION

Operation of this welder consists of selecting and adjusting operating controls for optimum voltage (welding heat) and wire speed settings.

CONTROLS AND INDICATORS



WARNING

Electric shock can kill! Whenever the POWER switch is in the ON position, the welding circuit is activated. Under this condition, an arc will occur if the welding wire or any part of the welding circuit comes in contact with welding ground.

POWER SWITCH - The power switch supplies electrical current to the welder. Whenever the power switch is in the ON position, the welding circuit is activated. ALWAYS turn the power switch to the OFF position and unplug the welder before performing any maintenance.

VOLTAGE SELECTORS - The voltage selector switch and dial control the welding heat. The voltage selector switch is labeled MIN/MAX, referring to minimum and maximum voltage output. The voltage selector dial is lettered A-C. Letter A is the lowest heat and letter C is the highest. Refer to the label under the welder hood (or on page 32 of this manual) for recommended voltage selector settings for your welding job. Switch position "MAX" and dial position "C" produce the rated output of 150 amps.

WIRE SPEED CONTROL - The wire speed control adjusts the speed at which the wire is fed out of the welding gun. The wire speed needs to be closely matched (tuned-in) to the rate at which it is being melted off. Some things that affect wire speed selection are the type and diameter of the wire being used, the heat setting selected, and the welding position to be used.

Note: The wire will feed faster without an arc. When an arc is being drawn, the wire speed will slow down.

TUNING IN THE WIRE SPEED

This is one of the most important parts of MIG welder operation and must be done before starting each welding job or whenever any of the following variables are changed: heat setting, wire diameter, or wire type.

1. Set up and ground a scrap piece of the same type of material which you will be welding. It should be equal to or greater than the thickness of the actual work piece, and free of oil, paint, rust, etc.
2. Select a heat setting.
3. Hold the gun in one hand, allowing the nozzle to rest on the edge of the work-piece farthest away from you, and at an angle similar to that which will be used when welding. (See HOLDING THE GUN on page 18 if you are uncertain of the angle at which you will be welding)
4. With your free hand, turn the Wire Speed Dial to maximum and continue to hold onto the knob.



WARNING

EXPOSURE TO A WELDING ARC IS EXTREMELY HARMFUL TO THE EYES AND SKIN! Prolonged exposure to the welding arc can cause blindness and burns. Never strike an arc or begin welding until you are adequately protected. Wear flameproof welding gloves, a heavy long sleeved shirt, cuffless trousers, high topped shoes and a welding helmet.

5. Lower your welding helmet and pull the trigger on the gun to start an arc, then begin to drag the gun toward you while simultaneously turning the Wire Speed Dial counter-clockwise.
6. LISTEN! As you decrease the wire speed, the sound that the arc makes will change from a sputtering to a high-pitched buzzing sound and then will begin sputtering again if you decrease the wire speed too much. The point on the wire speed adjustment where the high-pitched buzzing sound is achieved is the correct setting.

You can use the wire speed control to slightly increase or decrease the heat and penetration for a given heat setting by selecting higher or lower wire speed settings. Repeat this tune-in procedure if you select a new heat setting, a different diameter wire, or a different type of welding wire.

LEARNING TO WELD

MIG (Metal Inert Gas) welding is the process of uniting metallic parts by heating and allowing the metals to flow together through the use of an electrical arc. The electrical arc is created between a continuous consumable wire electrode (the welding wire) and the work piece. An inert shielding gas is used to protect the weld puddle from contamination and enhance the welding capabilities of the electrical arc.

Whether you have welded before or not, it is important that you become familiar with your new welder, its controls, and the results achieved at different settings. We strongly recommend that you practice with your new welder on scrap metal trying different heat settings, base metal thicknesses, and welding positions for each type and size of wire you will be using. By doing this you will gain a feel for how changes in these welding variables affect the weld.

Of course, if you have not welded before, you will need to develop welding skills and techniques as well.

The self-taught welder learns through a process of trial and error. The best way to teach yourself how to weld is with short periods of practice at regular intervals. All practice welds should be done on scrap metal that can be discarded. Do not attempt to make any repairs on valuable equipment until you have satisfied yourself that your practice welds are of good appearance and free of slag or gas inclusions. What you fail to learn through practice will be learned through mistakes and re-welds later on.

HOLDING THE GUN

The best way to hold the welding gun is the way that feels most comfortable to you. While practicing to use your new welder, experiment holding the gun in different posi-

tions until you find the one that seems to work best for you. Refer to WELDING POSITIONS - p.20)

Position the Gun to the Work Piece

There are two angles of the gun nozzle in relation to the work piece that must be considered when welding.

1. Angle A (Figure 9) can be varied, but in most cases the optimum angle will be 60 degrees, the point at which the gun handle is parallel to the work piece. If angle A is increased, penetration will increase. If angle A is decreased, penetration will decrease also.

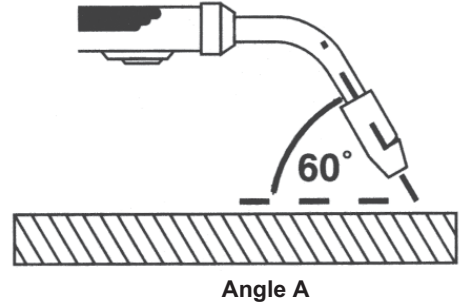


Figure 9. Gun Position, Angle A

2. Angle B (Figure 10) can be varied for two reasons: to improve the ability to see the arc in relation to the weld puddle and to direct the force of the arc.

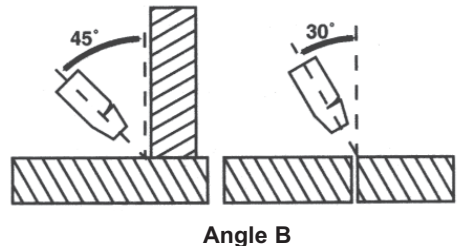


Figure 10. Gun Position, Angle B

The force of the welding arc follows a straight line out of the end of the nozzle. If angle B is changed, so will the direction of arc force and the point at which penetration will be concentrated.

On a butt weld joint, the only reason to vary angle B from perpendicular (straight up) to the work piece would be to improve visibility of the weld puddle. In this case, angle B can be varied anywhere from zero to 45 degrees with 30 degrees working about the best.

On a fillet weld joint, the nozzle is generally positioned in such a manner so as to split the angle between the horizontal and vertical members of the weld joint. In most cases, a fillet weld will be 45 degrees.

Distance from the Work Piece

The end of the welding gun is designed with the contact tip recessed from the end of the nozzle and the nozzle electrically insulated from the rest of the gun. This permits the operator to actually rest the nozzle on the work piece and drag it along while welding. This can be very helpful to beginning welders to steady the gun, allowing the welder to concentrate on welding technique. If the nozzle is held off the work piece, the distance between the nozzle and the work piece should be kept constant and should not exceed 1/4 inch or the arc may begin sputtering, signaling a loss in welding performance

WELDING TECHNIQUES



WARNING

EXPOSURE TO A WELDING ARC IS EXTREMELY HARMFUL TO THE EYES AND SKIN!

Prolonged exposure to the welding arc can cause blindness and burns. Never strike an arc or begin welding until you are adequately protected. Wear flameproof welding gloves, a heavy long sleeved shirt, cuffless trousers, high topped shoes and a welding helmet.



WARNING

ELECTRIC SHOCK CAN KILL! To prevent ELECTRIC SHOCK, do not perform any welding while standing, kneeling, or lying directly on the grounded work.

MOVING THE GUN

Gun travel refers to the movement of the gun along the weld joint and is broken into two elements: Direction and Speed. A solid weld bead requires that the welding gun be moved steadily and at the right speed along

the weld joint. Moving the gun too fast, too slow, or erratically will prevent proper fusion or create a lumpy, uneven bead.

- 1. TRAVEL DIRECTION** is the direction the gun is moved along the weld joint in relation to the weld puddle. The gun is either **PUSHED** (see Figure 11) into the weld puddle or **PULLED** away from the weld puddle.

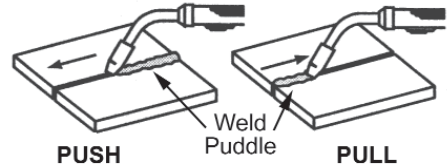


Figure 11. Travel Direction

For most welding jobs you will pull the gun along the weld joint to take advantage of the greater weld puddle visibility.

- 2. TRAVEL SPEED** is the rate at which the gun is being pushed or pulled along the weld joint. For a fixed heat setting, the faster the travel speed, the lower the penetration and the lower and narrower the finished weld bead. Likewise, the slower the travel speed, the deeper the penetration and the higher and wider the finished weld bead.

TYPES OF WELD BEADS

The following paragraphs discuss the most commonly used welding beads.

Once you have the gun in position with the wire lined up on the weld joint, lower your helmet, pull the trigger and the arc will start. In a second or two you will notice a weld puddle form and the base of the bead beginning to build. It is now time to begin to move with the gun. If you are just learning to weld, simply move the gun in a straight line and at a steady speed along the weld joint. Try to achieve a weld with the desired penetration and a bead that is fairly flat and consistent in width.

As you become more familiar with your new welder and better at laying some simple weld beads, you can begin to try some different weld bead types.

There are two basic types of weld beads, the stringer bead and the weave bead.

1. The **STRINGER BEAD** (Figure 12) is formed by traveling with the gun in a straight line while keeping the wire and nozzle centered over the weld joint. This is the easiest type of bead to make.

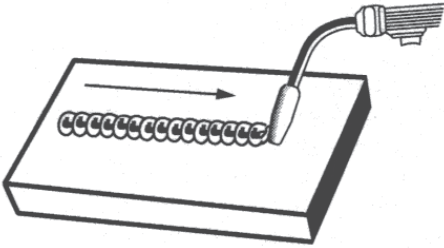


Figure 12. Stringer Bead

2. The **WEAVE BEAD** (Figure 13) is used when you want to deposit metal over a wider space than would be possible with a stringer bead. It is made by weaving from side to side while moving with the gun. It is best to hesitate momentarily at each side before weaving back the other way.

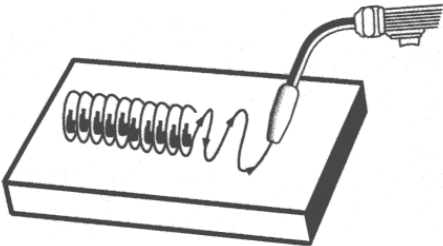


Figure 13. Weave Bead

WELDING POSITIONS

There are four basic welding positions: flat, horizontal, vertical, and overhead.

1. The **FLAT POSITION** (Figure 14) is the easiest of the welding positions and is most commonly used. It is best if you can weld in the flat position if at all possible as good results are easier to achieve.

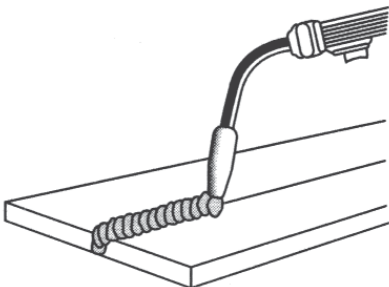


Figure 14. Flat Position

2. The **HORIZONTAL POSITION** (Figure 15) is next in difficulty level. It is performed very much the same as the flat weld except that angle B (see **HOLDING THE GUN** - p.18) is such that the wire, and therefore the arc force, is directed more toward the metal above the weld joint. This is to help prevent the weld puddle from running downward while still allowing slow enough travel speed to achieve good penetration. A good starting point for angle B is about 30 degrees **DOWN** from being perpendicular to the work piece.

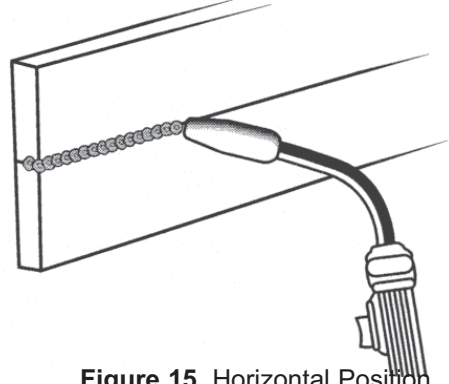


Figure 15. Horizontal Position

3. The **VERTICAL POSITION** (Figure 16) is the next most difficult position. Pulling the gun from top to bottom may be easier for many people, but in some instances it can be difficult to prevent the puddle from running downward. Pushing the gun from bottom to top may provide better puddle control and allow slower rates of travel speed to achieve deeper penetration. When vertical welding, angle B (see **HOLDING THE GUN** - p.18) is usually always kept at zero, but angle A will generally range from 45 to 60 degrees to provide better puddle control.

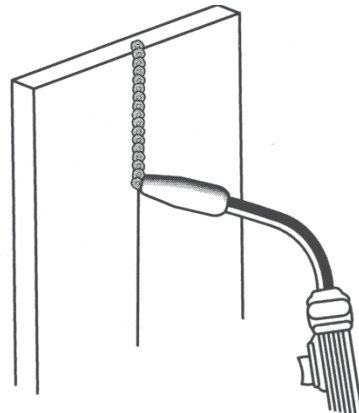


Figure 16. Vertical Position



WARNING

Hot slag can cause fires and serious injury from burns! Be sure to wear protective clothing and eye gear when using the Overhead Position.

4. The OVERHEAD POSITION (Figure 17) is the most difficult welding position because gravity is pulling at the weld puddle trying to make it drip off the work piece. Angle A (see HOLDING THE GUN - p.18) should be maintained at 60 degrees, the same as in the flat position. Maintaining this angle will reduce the chances of molten metal falling into the nozzle should it drip from the weld puddle. Angle B should be held at zero degrees so that the wire is aiming directly into the weld joint. If you experience excessive dripping of the weld puddle, select a lower heat setting. Also, the weave bead tends to work better than the stringer bead when welding overhead.

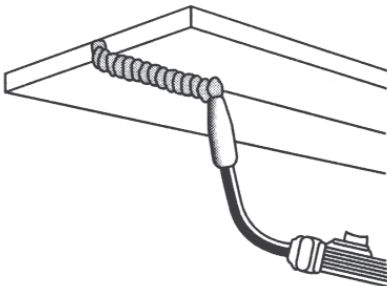


Figure 17. Overhead Position

MULTIPLE PASS WELDING

Butt Weld Joints. When butt welding thicker materials, you will need to prepare the edges of the material to be joined by grinding a bevel on the edge of one or both pieces of the metal being joined. When this is done, a V is created between the two pieces of metal, that will have to be welded closed. In most cases more than one pass or bead will need to be laid into the joint to close the V. Laying more than one bead into the same weld joint is known as a multiple-pass weld. The illustrations in Figure 18 show the sequence for laying multiple pass beads into a single V butt joint.

NOTE: WHEN USING SELF-SHIELDING FLUX-CORE WIRE it is very important to thoroughly chip and brush the slag off each completed weld bead before making another pass or the next pass will be of poor quality.

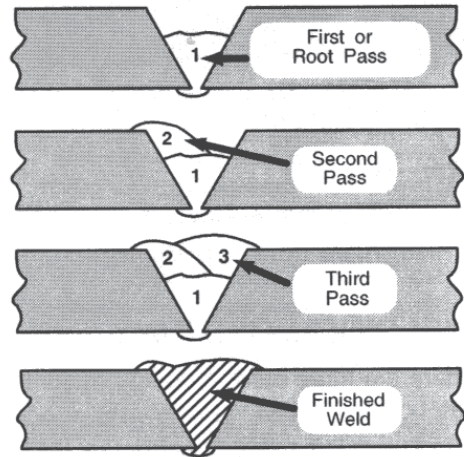


Figure 18. Butt Joints

Fillet Weld Joints. Most fillet weld joints, on metals of moderate to heavy thickness, will require multiple pass welds to produce a strong joint. The illustrations in Figure 19 show the sequence of laying multiple pass beads into a T fillet joint and a lap fillet joint.

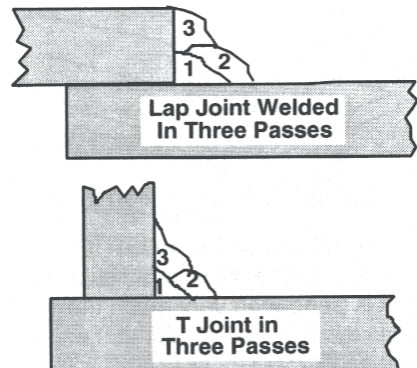


Figure 19. Fillet Weld Joints

SPECIAL WELDING METHODS

SPOT WELDING

The purpose of a spot weld is to join pieces of metal together with a spot of weld instead of a continuous weld bead. There are three methods of spot welding: Burn-Through, Punch and Fill, and Lap (see Figure 20). Each has advantages and disadvantages depending on the specific application as well as personal preference.

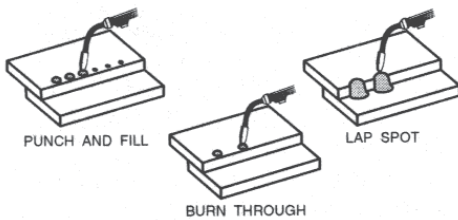


Figure 20. Spot Welding

1. The BURN-THROUGH METHOD welds two overlapped pieces of metal together by burning through the top piece and into the bottom piece.

With the burn-through method, larger wire diameters tend to work better than smaller diameters because they have greater current carrying capabilities allowing the arc to burn through very quickly while leaving a minimal amount of filler metal build up. Wire diameters that tend to work best, with the burn-through method, are 0.030 inch diameter solid wire or 0.035 inch self-shielding flux-core wire.

Do not use 0.024 inch diameter solid or 0.030 inch self-shielding flux-core wires when using the burn-through method unless the metal is VERY thin or excessive filler metal build-up and minimal penetration is acceptable.

Always select the HIGH heat setting with the burn-through method and tune in the wire speed prior to making a spot weld.

2. The PUNCH AND FILL METHOD produces a weld with the most finished appearance of the three spot weld methods. In this method, the arc is directed through a hole punched or drilled into

the top piece of metal so that it penetrates into the bottom piece. The puddle is allowed to fill up the hole leaving a spot weld that is smooth and flush with the surface of the top piece.

Select the wire diameter, heat setting, and tune in the wire speed as if you were welding the same thickness material with a continuous bead.

3. The LAP SPOT METHOD directs the welding arc to penetrate the bottom and top pieces, at the same time, right along each side of the lap joint seam.

Select the wire diameter, heat setting, and tune in the wire speed as if you were welding the same thickness material with a continuous bead.

SPOT WELDING INSTRUCTIONS

1. Select the wire diameter and heat setting recommended above for the method of spot welding you intend to use.
2. Tune in the wire speed as if you were going to make a continuous weld.
3. Hold the nozzle piece completely perpendicular to and about 1/4 inch off the work piece.
4. Pull the trigger on the gun and release it when it appears that the desired penetration has been achieved.
5. Make practice spot welds on scrap metal, varying the length of time you hold the trigger, until a desired spot weld is made.
6. Make spot welds on the actual work piece at desired locations.

MAINTENANCE

GENERAL

This welder has been engineered to give many years of trouble-free service providing that a few very simple steps are taken to properly maintain it.

1. Keep the wire drive compartment lid closed at all times unless the wire needs to be changed or the drive tension needs adjusting.
2. Keep all consumables (contact tips, nozzles, and gun liner) clean and replace when necessary. See CONSUMABLE MAINTENANCE and TROUBLESHOOTING later in this section for detailed information.
3. Replace power cord, ground cable, ground clamp, or gun assembly when damaged or worn.
4. Periodically clean dust, dirt, grease, etc. from your welder with a damp rag. Every six months, or as necessary, remove the side panels from the welder and air-blow any dust and dirt that may have accumulated inside the welder.



WARNING

Electric shock can kill! To reduce the risk of electric shock, always unplug the welder from its ac power source before removing side panels.

CONSUMABLE MAINTENANCE

IT IS VERY IMPORTANT TO MAINTAIN THE CONSUMABLES TO AVOID THE NEED FOR PREMATURE REPLACEMENT OF THE GUN ASSEMBLY.

The **GUN LINER** is intended to provide an unrestricted path for the welding wire to flow through the gun assembly. Over time the liner will accumulate dust, dirt, and other debris. Replacement is necessary when these accumulations begin to restrict the free flow of wire through the gun assembly.

MAINTAINING THE CONTACT TIP

The purpose of the CONTACT TIP is to transfer welding current to the welding wire while allowing the wire to pass through it smoothly.

Always use a contact tip stamped with the same diameter as the wire it will be used with.

Note: Due to inherent variances in flux-cored welding wire, it may be necessary to use a contact tip one size larger than your flux core wire if wire jams occur.

1. If the wire burns back into the tip, remove the tip from the gun and clean the hole running through it with an oxygen-acetylene torch tip cleaner or tip drill.
2. Over time, the hole in the contact tip will become worn by the wire passing through it. The more worn this hole becomes, the less efficient is the transfer of welding current to the wire and eventually arc breakage and difficult arc starting will result. Replace contact tips when signs of wear become apparent.

MAINTAINING THE NOZZLE

The nozzle directs the shielding gas to the weld puddle, determines the size of the shielding area, and prevents the electrically hot contact tip from contacting the work piece.

CAUTION

KEEP THE NOZZLE CLEAN! During the welding process, spatter and slag will build up inside the nozzle and must be cleaned out periodically. Clean the nozzle by scraping away the build up with a nozzle cleaning tool or a narrow metal surface similar to the tip of a screwdriver. Failure to clean and/or replace the nozzle in a timely fashion WILL CAUSE DAMAGE TO THE FRONT-END OF THE GUN ASSEMBLY.

For best results, coat the inside of a new, or freshly cleaned nozzle with anti stick spray or gel.

1. Stop welding and clean any accumulated slag or spatter from the nozzle every 5 to 10 minutes of welding time.
2. When welding overhead, if any molten metal drips from the weld puddle and falls into the nozzle, STOP WELDING IMMEDIATELY and clean/scrape any build up from the nozzle.
3. If the slag cannot be thoroughly cleaned from the nozzle, REPLACE THE NOZZLE!

Failure to keep the nozzle adequately cleaned can result in the following problems:

A **SHORTED** nozzle results when spatter buildup bridges the insulation in the nozzle, allowing welding current to flow through it as well as the contact tip. When shorted, a nozzle will steal welding current from the wire whenever it contacts the grounded work piece. This causes erratic welds and reduced penetration. In addition, a shorted nozzle overheats the end of the gun, which can **DAMAGE** the front-end of the gun.

A **RESTRICTED** nozzle is created when enough slag builds up in the nozzle to affect the direction, concentration, and/or rate of the shielding gas flow. This problem can cause porous, brittle welds and reduce penetration.

TESTING FOR A SHORTED NOZZLE

Arcing between the nozzle and the work piece **ALWAYS** means the nozzle is shorted, but this can be hard to detect through the lens of a welding helmet. The following testing method is another way to tell if a nozzle is shorted.

With the welder unplugged from the ac power source, touch the probes of an ohmmeter or continuity tester to the end of the contact tip and the outside of the nozzle. If there is any continuity at all, the nozzle **IS** shorted. Clean or replace as needed.

REPLACE A GUN LINER

When installing a new gun liner, care must be taken not to kink or otherwise damage the gun liner. See Figure 21 for the drive assembly and Figure 22 for the gun assembly.

1. Turn OFF welder **POWER SWITCH** and unplug welder from power supply.
2. Open the welder side panel.
3. Lower Drive Tension Adjustment knob and lift the Drive Tension Arm up off the drive roller.
4. Turn the wire spool counter-clockwise (be sure to hold onto the wire itself while turning the spool or the wire will unspool itself when it becomes free of the gun liner), and remove wire from gun assembly.
5. Lay gun cable and gun handle straight out in front of unit.

6. Unscrew large flat head screws which hold handle to welder cabinet and remove handle.
7. Remove self tapping screws which connect welder cabinet to frame and lift cabinet away from welder.
8. Remove Cable Holding Clamp according to the following steps:
 - a) Remove the two self tapping screws at the end of Cable Holding Clamp closest to the Drive Roller.
 - b) Remove the two bolts at the end of Cable Holding Clamp closest to Gun Cable. **Note:** There are two nuts on opposite side of dividing panel which hold the bolts in place.
9. Take gun handle halves apart by removing the five phillips head screws.
10. Remove gas hose from fast coupler fitting on Gas Valve. Depress lip on fast coupler fitting back towards fitting and pull gas hose out.
11. Remove Fast Coupler Fitting from Gas Valve using a 9 millimeter wrench.
12. Firmly hold the brass fitting on the end of the gun liner with a wrench and rotate Gas Valve counterclockwise to unscrew fitting.
Note: Rotate Gas Valve - Do not rotate brass fitting or gun liner will twist inside gun cable and may cause damage to gun cable.
13. The Live Wire Terminal is held in place on the Gas Valve by the brass fitting on the end of the gun liner. When the brass fitting is removed, slide the Live Wire Terminal off of the brass fitting.
14. Firmly grip the gun cable and pull the gun liner all the way out.
15. Install the new gun liner into gun cable, starting from the end where the welding gun will be mounted, and feeding the liner all the way through the gun cable to the wire feed roller.
Note: It may be helpful to apply a small amount of liquid soap to the end of the gun liner to decrease resistance during installation process.
16. Slide the eyelet of the Live Wire Terminal onto the threaded end of the gun liner brass fitting.

- Firmly hold the brass fitting on the end of the gun liner with a wrench and rotate Gas Valve clockwise to screw it onto fitting.

Note: Rotate Gas Valve - Do not rotate brass fitting or gun liner will twist inside gun cable and may cause damage to gun cable.

- Return all components to the handle casing and realign them as they were originally.
- With both halves of the handle case in place, tighten the five phillips head screws.
- Using wire cutters, trim the new gun liner to approximately 3/16 inch beyond the edge of the Cable Holding Clamp. (The goal is to make sure that the end of the gun liner will be visible after the Cable Holding Clamp is assembled. This will make installing the welding wire much easier.)
- Reassemble the Cable Holding Clamp according to the following steps:
 - Install the two self tapping screws at the end of the Cable Holding Clamp closest to the Drive Roller - Do not fully tighten yet!
 - Install the two bolts at the end of the Cable Holding Clamp closest to the Gun Cable. Securing tightly with the nuts on the opposite side of the dividing panel.
 - Fully tighten the 2 self tapping screws.
- Replace welder cabinet (and side panel) and tighten all self tapping screws.
- Reinstall handle to top of welder cabinet - securely tighten the two flat head screws.
- Reinstall the welding wire according to specifications in INSTALL THE WELDING WIRE section.
- Close side panel.
- Plug welder into power supply and turn POWER SWITCH to ON position.

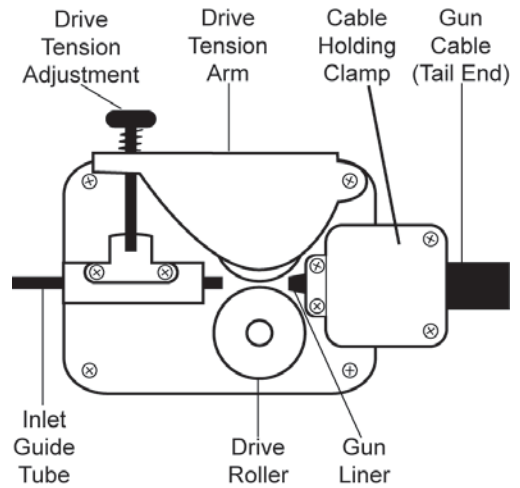


Figure 21. Drive Assembly

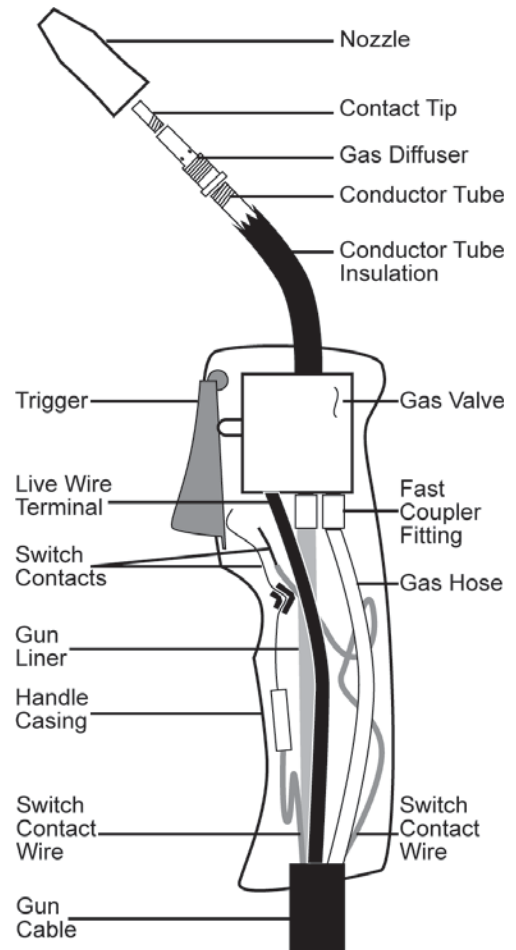


Figure 22. Gun Assembly

PREVENTIVE MAINTENANCE

Except for internal and external cleaning, cleaning the nozzle, and occasionally retightening screws, there is no periodic maintenance recommended for your welder.

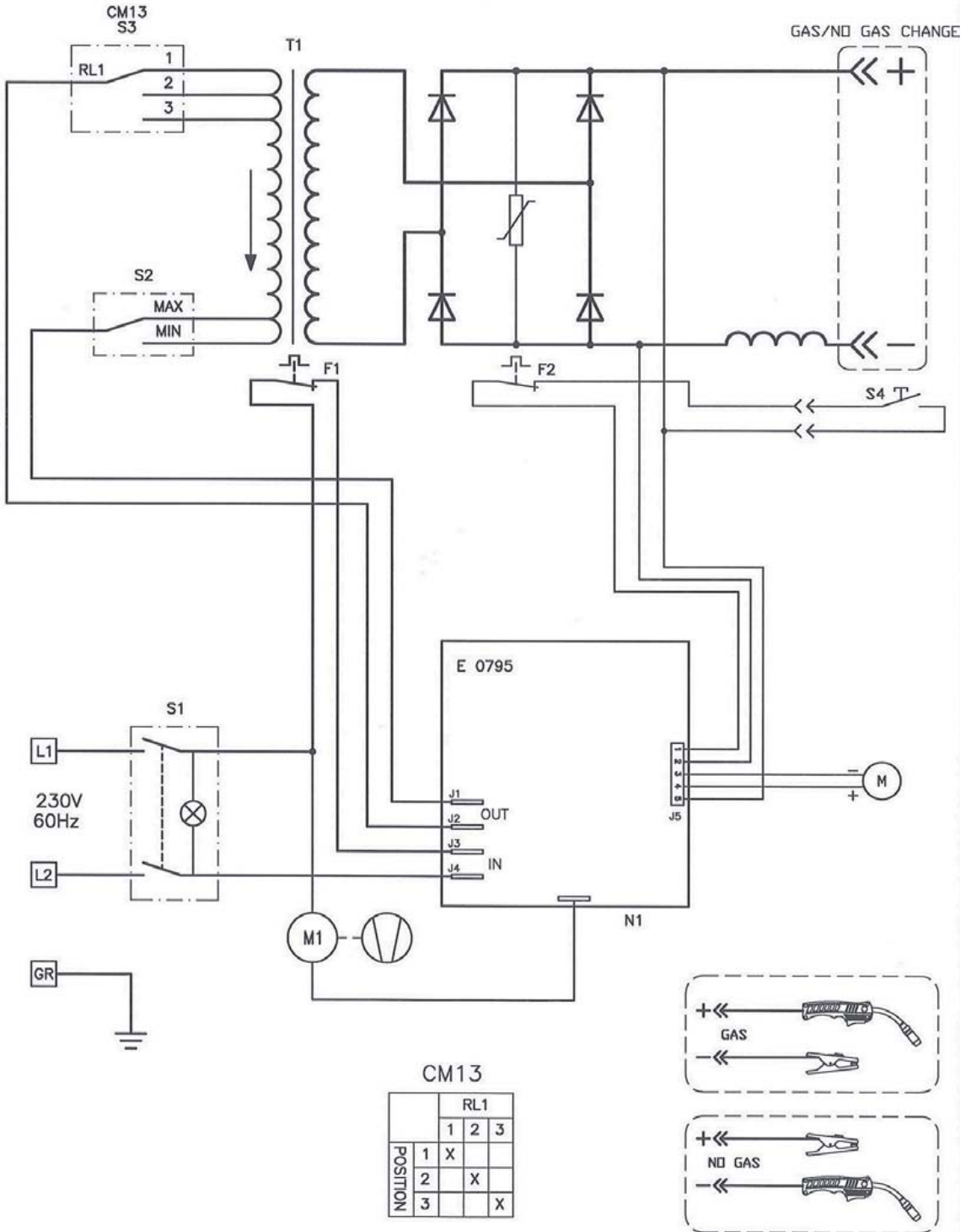
TROUBLESHOOTING

The following TROUBLESHOOTING table is provided as a guide to help resolve some of the more common problems that could be encountered. This table does not provide all possible solutions, only those possibilities considered to likely be common faults. The table consists of a TROUBLE or symptom, a POSSIBLE CAUSE for the symptom, and a POSSIBLE REMEDY for that symptom.

TABLE 4 – TROUBLESHOOTING

TROUBLE	POSSIBLE CAUSE	POSSIBLE REMEDY
Dirty, porous, brittle weld	<ol style="list-style-type: none">1. Plugged welding nozzle2. No shielding gas3. Wrong type of gas4. Dirty or rusty welding wire	<ol style="list-style-type: none">1. Clean or replace nozzle.2. Tank empty, flow restricted or regulator set too low.3. See SELECTING SHIELDING gas section of manual.4. Replace spool of wire.
Wire feed works but no arc	<ol style="list-style-type: none">1. Bad ground or loose connection2. Bad connection to gun or faulty gun	<ol style="list-style-type: none">1. Check ground and connections. Tighten as necessary.2. Check connection to gun or replace gun
Arc works but not feeding wire	<ol style="list-style-type: none">1. Faulty wire speed control assembly2. No tension on drive roller3. Faulty drive motor (RARE!)	<ol style="list-style-type: none">1. Replace wire speed control assembly.2. Adjust the drive tension.3. Replace drive motor.
Nothing works except fan	<ol style="list-style-type: none">1. Faulty trigger on gun2. Exceeded duty cycle; thermal protector opened3. Faulty transformer (RARE!)	<ol style="list-style-type: none">1. Replace gun trigger.2. Let welder cool at least 10 minutes (observe and maintain proper duty cycle.)3. Replace transformer.
Low output or non-penetrating weld	<ol style="list-style-type: none">1. Loose connection inside machine2. Too long or improper extension cord3. Wrong type or size wire4. Poor ground connection5. Wrong size contact tip6. Loose gun connection or faulty gun assembly7. Wrong welding polarity set8. Dirty or rusty welding wire	<ol style="list-style-type: none">1. Blow inside of machine out with compressed air. Clean and tighten all connections.2. See EXTENSION CORDS section of manual.3. Use correct size wire.4. Reposition clamp and check cable to clamp connection.5. Use correct size contact tip.6. Tighten gun or replace gun.7. Change to proper polarity.8. Replace spool of wire.
Wire is jamming or "birdnesting" at the drive roller	<ol style="list-style-type: none">1. Too much tension on drive roller2. Gun liner worn or damaged3. Contact tip is clogged or damaged4. Liner stretched or is too long	<ol style="list-style-type: none">1. Adjust drive tension. (See INSTALL THE WELDING WIRE)2. Replace gun liner.3. Replace contact tip.4. Trim liner to proper length.
Wire burns back to contact tip	<ol style="list-style-type: none">1. Gun liner worn or damaged2. Liner stretched or is too long3. Wrong size contact tip4. Contact tip is clogged or damaged	<ol style="list-style-type: none">1. Replace gun liner.2. Trim liner to proper length.3. Use correct size contact tip.4. Replace contact tip.
Ground clamp and/or ground cable gets hot	Bad connection from cable to clamp	Tighten connection or replace cable.
Gun nozzle arcs to work surface	Slag buildup inside nozzle or nozzle is shorted	Clean or replace nozzle as needed.

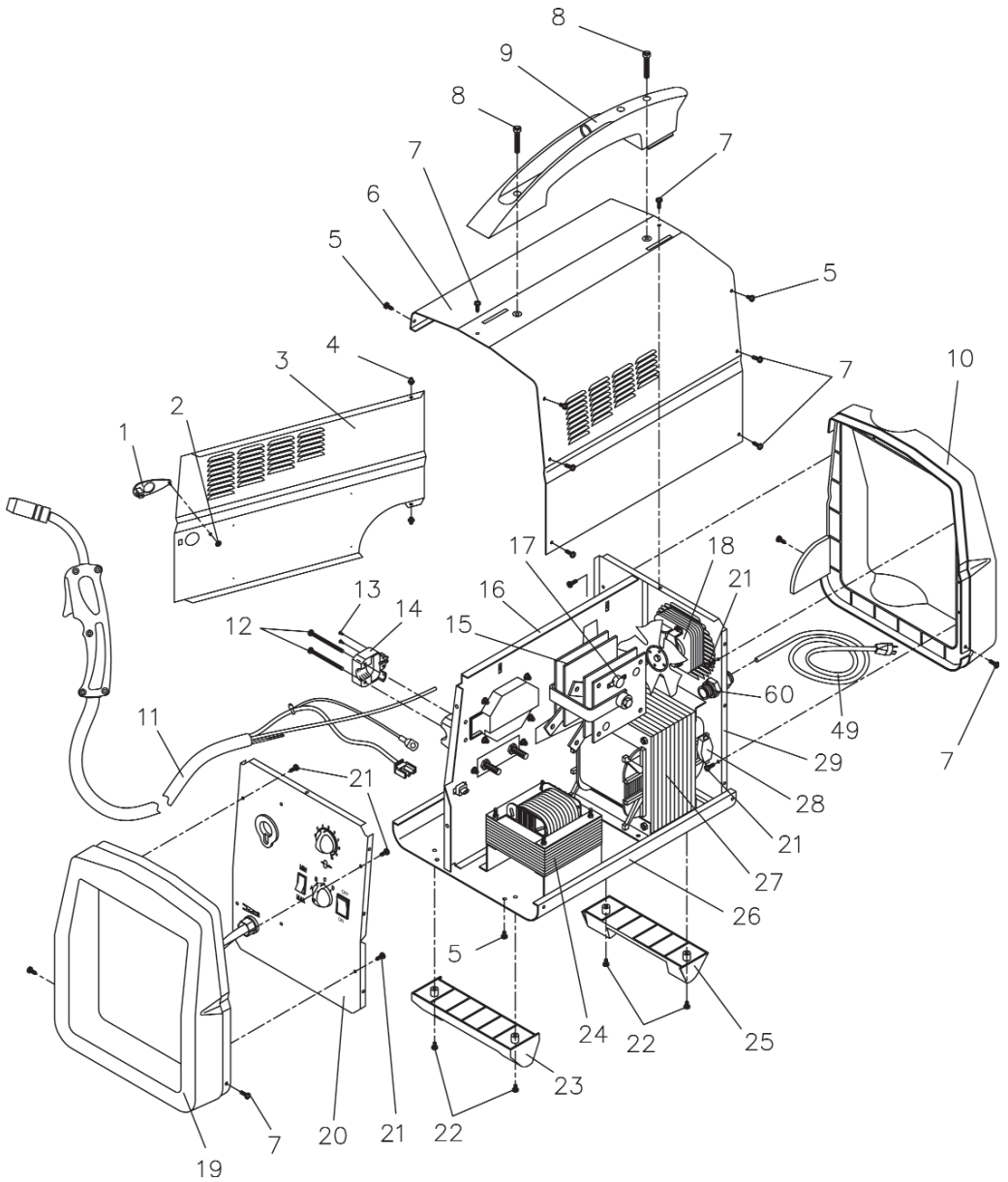
WIRE FEED WELDER MODEL 196.205040 WIRING DIAGRAM



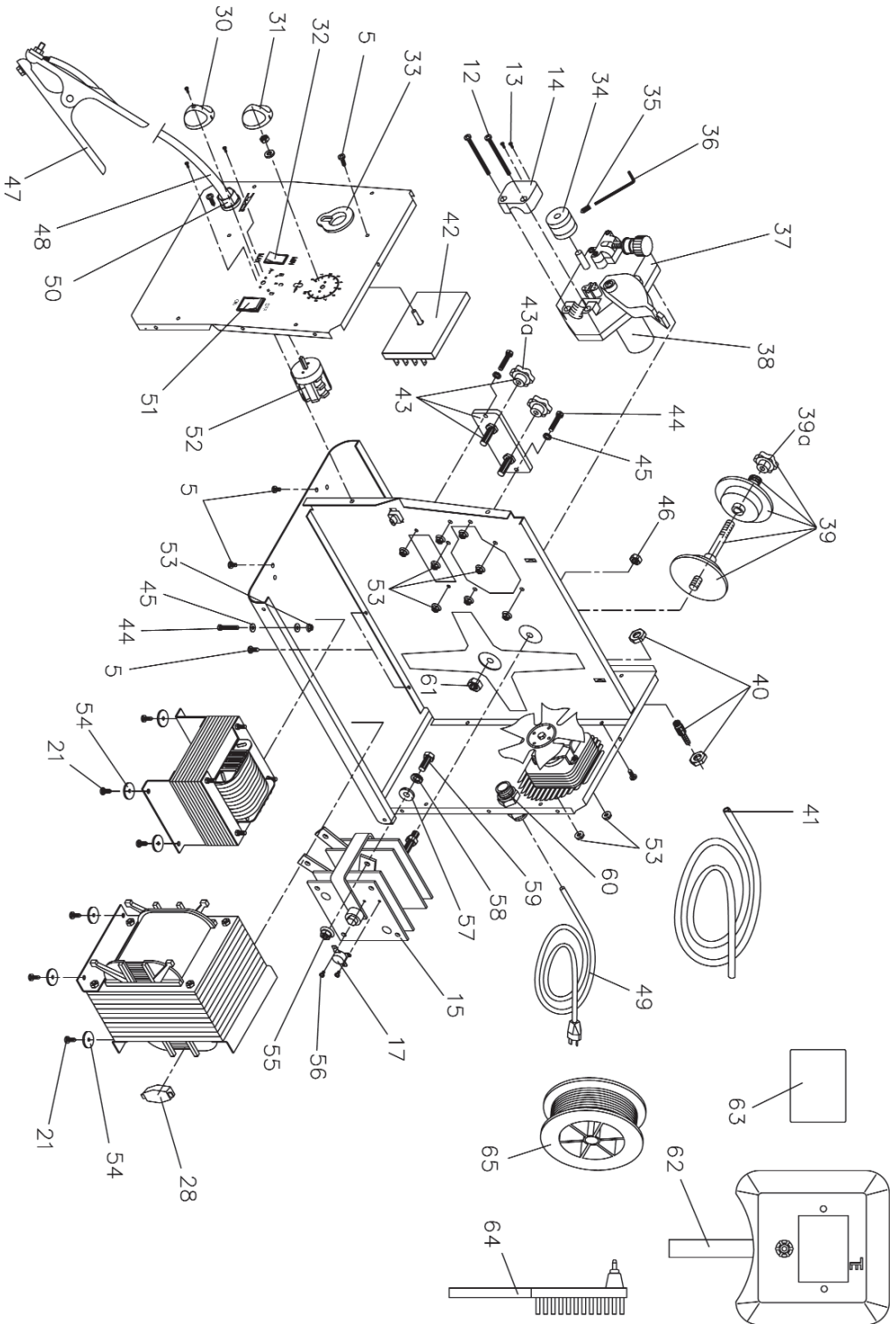
WIRE FEED WELDER MODEL 196.205040 PARTS LIST

No.	Code	Description	Qty
01	WE20504-21690177	Side Panel Clip	1
02	WE20504-21055015	Lock Washer for Clip	1
03	WE20504-05000076	Access Door	1
04	WE20504-33810095	Iron Pin for Access Door	2
05	WE20504-21020038	Self-Tapping Screw for Cabinet	14
06	WE20504-05000066	Right Upper Panel	1
07	WE20504-21020039	Self-Tapping Screw for Cabinet	10
08	WE20504-21005040	Handle Screw	2
09	WE20504-21600021	Plastic Handle	1
10	WE20504-21690176	Back Plastic Frame	1
11	WE20504-23000081	Gun 0/8 10mm2	1
12	WE20504-21005017	TCI Screw for Pressure Cover	2
13	WE20504-21020003	Self-Tapping Screw for Pressure Cover	2
14	WE20504-21690244	Gun Pressure Cover	1
15	WE20504-22400038	Rectifier PMS 8/4/1 F	1
16	WE20504-33720063	Dividing Panel	1
17	WE20504-22210014	Thermostat 100° 10A	1
18	WE20504-22800039	Complete Fan	1
19	WE20504-21690175	Front Plastic Frame	1
20	WE20504-05000075	Front Panel	1
21	WE20504-21020018	Self-Tapping Screw for Frame	16
22	WE20504-21020037	Self-Tapping Screw for Feet	4
23	WE20504-21610014	Front Plastic Foot	1
24	WE20504-44135018	Choke 40x40 AL	1
25	WE20504-21610015	Back Plastic Foot	1
26	WE20504-33700138	Lower Panel	1
27	WE20504-44120076	Transformer 220V 40x85 AL	1
28	WE20504-22210016	Thermostat 127° 16A	1
29	WE20504-05000077	Back Panel	1
30	WE20504-21690312	Voltage Settings Knob	1
31	WE20504-21690310	Wire Speed Knob	1
32	WE20504-22200036	Voltage Settings Switch 16A 250V	1
33	WE20504-21690001	Gun Grommet on Front Panel	1
34	WE20504-33805001	Wire Feed Roll ø 9X30 .023-.030 Knurled	1
35	WE20504-21010010	ST-CE Screw for Feed Roll	1
36	WE20504-21590002	Hex Key	1
37	WE20504-44400016	Black Plastic Wire Feeder	1
38	WE20504-04600145	Wire Feeding Motor	1
39	WE20504-04600002	Complete Spool Holder	1
39a	WE20504-21800036	Spool Holder Handwheel	1
40	WE20504-22910070	Gas Hose Barb	1
41	WE20504-30900030	Black Gas Hose	1
42	WE20504-22710037	P.C. Board E0795 220/240V +Fuse "CSA"	1
43	WE20504-04600114	Kit Gas/No Gas Change Board	1
43a	WE20504-21800051	Handwheel	2
44	WE20504-21000005	TE Screw for Change Board & Contactor	3
45	WE20504-21035002	Gear Washer for Change Board & Contactor	5
46	WE20504-21025011	Hex Nut for Rectifier	1
47	WE20504-22110025	Ground Clamp 300A	1
48	WE20504-43210148	Ground Cable 10MM ²	1
49	WE20504-20220120	Power Cord 3xAWG12 M2.5 220V 50A Plug	1
50	WE20504-21605010	Cable Clamp	1
51	WE20504-22200035	Amber Power Switch	1
52	WE20504-22205116	Switch 17A	1
53	WE20504-21025029	Hex Nut for Wire Feeder	12
54	WE20504-21030010	Flat Washer for Choke and Transformer	8
55	WE20504-21025028	Hex Nut for Rectifier	4
56	WE20504-21020006	Self-Tapping Screw for Rectifier	2
57	WE20504-21030011	Flat Washer for Rectifier	4
58	WE20504-21035004	Gear Washer for Rectifier	4
59	WE20504-21000020	TE Screw for Rectifier	4
60	WE20504-21605036	Cable Clamp	1
61	WE20504-21025015	Nut for Spool Holder	1
62	WE20504-21905002	Plastic Welding Mask	1
63	WE20504-21905007	Dark Glass for Welding Mask	1
64	WE20504-21905011	Hammer-Brush	1
65	WE20504-21910050	Flux-Cored Wire Spool	1

WIRE FEED WELDER MODEL 196.205040 PARTS DIAGRAM



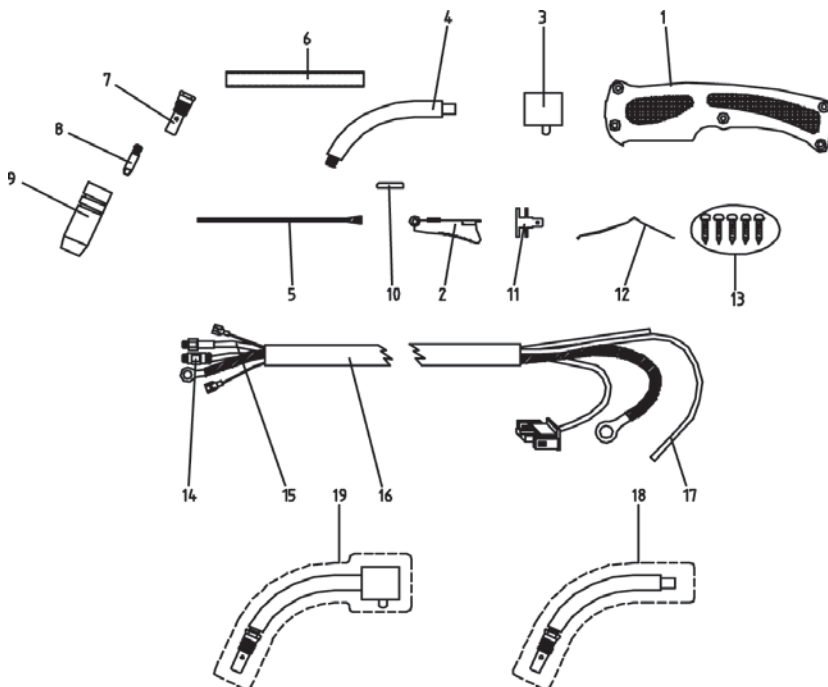
WIRE FEED WELDER MODEL 196.205040 PARTS DIAGRAM



WIRE FEED WELDER MODEL 196.205040 GUN PARTS LIST

No.	Code	Description	Qty.
01	WE20504-21690300	Black Gun Handle	1
02	WE20504-21690301	Red Trigger for Gun	1
03	WE20504-23005009	Gun Gas Valve	1
04	WE20504-23005145	Gun Neck for TW1 Gun	1
05	WE20504-23005091	Thread Guide Wire Liner x T Neck 1.4	1
06	WE20504-23005090	Conductor Tube Insulation	1
07	WE20504-23005146	Gas Diffuser for Gun TW1 ME-99	1
08a	WE20504-23005018	.024 (0.6mm) Contact Tip	1
08b	WE20504-23005019	.030 (0.8mm) Contact Tip	1
08c	WE20504-23005020	.040 (1.0mm) Contact Tip	1
09	WE20504-23005147	Nozzle for Gun TW1 MC-31	1
10	WE20504-33810090	Pin for Gun Trigger D.4x16ZN	1
11	WE20504-21200010	Fast-On Contact 6.3x0.8	1
12	WE20504-33800009	No-Gas Gun Contact Spring	1
13	WE20504-21020012	Self Tapping Screw TCC 3.9x16	5
14	WE20504-22910001	Fast Coupling Connector D.4 M6x0.75	1
15	WE20504-23005131	Stainless Wire Liner 1.4x4 Blue L=2500	1
16	WE20504-30900022	Rubber Outer Sleeve D.17.5 + Hose L=2200	1
17	WE20504-30900007	Rilsan Gas Hose D.2x4 L=3200	1
18	WE20504-23005148	Gas Neck w/Outside Liner and Difus.	1
19	WE20504-23005144	Gas Neck w/Gas Valve	1

WIRE FEED WELDER MODEL 196.205040 GUN





SUGGESTED SETTINGS FOR WELDER

Recommendations only - variations in input power, welding position, wire, and gas will affect the weld characteristics. Use the voltage setting and wire speed indicated as a starting point - then adjust for variables such as stick out, travel speed, weld angle, cleanliness of metal, etc.

PROCEDURE	WELDING WIRE	GAS	THICKNESS OF STEEL							Voltage/Wire Speed	
			24 gage .024 in .61 mm	22 gage .030 in .76 mm	18 gage .048 in 1.2 mm	16 gage .060 in 1.5 mm	12 gage .10 in 2.5 mm	.25 in 6.3 mm	MAX-B wire: 5	MAX-C wire: 8	
GASLESS DC (-)	.030 in (0.8 mm) Flux-Core Wire	NONE	X	MIN-B wire: 2	MAX-A wire: 5	MIN-C wire: 4	MAX-B wire: 5	MAX-C wire: 8			
	.024 in (0.6 mm) Steel Wire	C25 (75% Argon, 25% CO ₂)	MIN-A wire: 2	MIN-B wire: 2	MAX-A wire: 5	MIN-C wire: 5	MAX-B wire: 5	MAX-C wire: 8			
MIG DC (+)	.030 in (0.8 mm) Steel Wire	C25 (75% Argon, 25% CO ₂)	X	MIN-B wire: 3	MIN-C wire: 5	MAX-A wire: 5	MAX-B wire: 5	MAX-C wire: 8			

ÍNDICE

Garantía Limitada de Craftsman	33
Introducción	33
Resumen de Seguridad	34
Información de Seguridad	34
Riesgos de Choque Eléctrico	35
Riesgos de Destello del Arco	35
Riesgos de Incendio	36
Riesgos de Vapores	37
Riesgos de Gases Comprimidos y sus Equipos ..	37
Información Adicional de Seguridad ..	38
Especificaciones de la Soldadora	39
Descripción	39
Características de Operación	39
Ciclo de Funcionamiento	39
Protección Térmica Interna	39
Conozca su Soldadora	40
Instalación de la Soldadora	41
Conexión al Suministro Eléctrico	41
Electricidad Requerida	41
Conexión al Tomacorriente	41
Cordones de Extensión.....	41
Ensamblaje de la Soldadora	41
Desembalaje de la Soldadora.....	41
Lista de Empaque	41
Ensamblaje de la Careta para Soldar ..	42
Instalación del Asa	42
Instalación de las Patas	42
Selección del Gas Protector	42
Instalación del Gas Protector	43
Inspección del Flujo de Gas	43
Alineamiento y Graduación del Rodillo de Avance ..	44
Instalación del Alambre Soldador	44
Regulación de la Tensión del Alambre Soldador ..	46
Instalación del Alambre de Aluminio ..	46
Cambio de Polaridad.....	47
Operación	48
Controles e Indicadores	48
Interruptor	48
Selector de Voltaje	48
Control de la Velocidad de Avance del Alambre....	48
Aprendiendo a Soldar	49
Como Sujetar la Pistola.....	49
Técnicas para Soldar	50
Desplazamiento de la Pistola	50
Tipos de Cordones de Soldadura	50
Posiciones para Soldar	51
Soldadura de Pasadas Múltiples	52
Métodos Especiales para Soldar	53
Soldadura de Puntos	53
Mantenimiento	54
Mantenimiento General	54
Mantenimiento de Insumos	54
Mantenimiento de la Punta de Contacto ..	54
Mantenimiento de la Boquilla	54
Prueba de Cortocircuito en la Boquilla	55
Cambio del Forro de la Pistola	55
Mantenimiento Preventivo.....	57
Diagnóstico de Problemas	57
Diagrama de Cableado	59
Lista de Piezas	60
Graduaciones Sugeridas	64

GARANTÍA

Garantía limitada de Tres Años de la Soldadora Craftsman

Si cualquier parte de ésta soldadora, excepto por la pistola o los cables, fallase debido a un defecto de materiales o de fabricación durante tres años a partir de la fecha de compra, devolverla al Centro de Reparaciones y Repuestos de Sears más cercano y Sears la reparará sin costo alguno. Sears reparará la pistola o los cables sin costo alguno sólo durante el período de un año a partir de la fecha de compra. Esta garantía no cubre las piezas que se gastan como las puntas de contacto o boquillas, que se consumen durante la operación normal de la soldadura. Esta garantía se aplica sólo cuando la unidad se usa en los Estados Unidos. Esta garantía otorga derechos específicos y usted también podría tener otros derechos que varían de un Estado a otro.

Sears, Roebuck and Co., D/817WA, Hoffman Estates, IL 60179

INTRODUCCIÓN

Este manual del usuario le proporciona toda la información específica que necesita poder utilizar su Soldadora de forma segura y efectiva. Contiene instrucciones de seguridad, configuración, instalación y operación del Soldador.

RESUMEN DE SEGURIDAD

Todo artesano respeta las herramientas con las que trabaja. Sabe que las herramientas representan años de mejoras y desarrollo constantes. Un verdadero artesano también sabe que las herramientas son peligrosas si se usan mal o se maltratan.

La lectura de este Manual del Operador antes de usar la soldadora, permitirá hacer un trabajo mejor y más seguro. Aprenda los usos y limitaciones de la soldadora, así como los peligros relacionados con el trabajo de soldadura.

INFORMACIÓN IMPORTANTE DE SEGURIDAD

A continuación se proveen pautas de seguridad para ayudarle a operar su soldadora nueva bajo las condiciones más seguras posibles. Cualquier equipo que use energía eléctrica puede ser potencialmente peligroso cuando no se siguen o se desconocen las instrucciones de seguridad y de manipulación.

A continuación se provee la información necesaria para que el usuario opere y use la unidad en forma segura.

Un aviso de **ADVERTENCIA** precediendo un paso de un procedimiento indica que el siguiente paso podría lesionar a la persona si es que no se cumplen con las precauciones de seguridad apropiadas.

Un aviso de **PRECAUCIÓN** precediendo un paso de un procedimiento indica que el siguiente paso podría dañar el equipo en uso.

Se puede usar una **NOTA** antes o después de un paso en un procedimiento para remarcar o explicar algo propio de ese paso.

LEER TODAS LAS INSTRUCCIONES DE SEGURIDAD CUIDADOSAMENTE antes de intentar instalar, operar o darle servicio a esta soldadora. Ignorar estas instrucciones, podría causar lesiones personales y/o daños a la propiedad.

CONSERVAR ESTAS INSTRUCCIONES PARA REFERENCIA FUTURA.

Nota:

- Los siguientes símbolos de alerta de seguridad identifican mensajes de seguridad importantes en este manual.
- Cuando vea uno de estos símbolos que se indican a continuación, esté alerta a la posibilidad de lesiones personales y lea cuidadosamente el mensaje que le sigue.



Este símbolo indica riesgo de descargas eléctricas durante los pasos que siguen.



Este símbolo indica riesgos de incendio durante los pasos que siguen.



Este símbolo indica que se debe usar una careta para soldar durante los pasos que siguen para proteger los ojos contra riesgos de lesiones y quemaduras por destellos.



Este símbolo indica que existe la posibilidad de riesgos de gases tóxicos durante la ejecución de los siguientes pasos.



Este símbolo indica que existe la posibilidad de quemaduras por escoria caliente durante la ejecución de los siguientes pasos.



Este símbolo indica que deben usarse protectores de ojos para proteger contra partículas disparadas al aire en la ejecución de los siguientes pasos.



Este símbolo indica que existe la posibilidad de lesiones o muerte por la manipulación o el mantenimiento inadecuado de los cilindros de gas comprimido o de los reguladores.

- Existen publicaciones sobre normas de seguridad. Estas se indican en la información adicional de seguridad al final de este resumen de seguridad. El Código Eléctrico Nacional (E.E.UU.), las normas de la Ley de Salud y Seguridad Ocupacional (OSHA), los códigos industriales locales y los requisitos locales de inspección también sirven de base para la instalación, uso y servicio del equipo.

RIESGOS DE CHOQUE ELÉCTRICO



ADVERTENCIA

¡LAS DESCARGAS ELÉCTRICAS PUEDEN MATAR!

Para reducir el riesgo de muerte o lesiones serias por choques eléctricos, se debe leer, entender y acatar las siguientes instrucciones de seguridad. Adicionalmente, cerciorarse que todas las personas que operen el equipo de soldar y que estén en el área de la soldadura, también entiendan y acaten estas medidas de seguridad.

- **¡IMPORTANTE! PARA REDUCIR EL RIESGO DE MUERTE, LESIONES O DAÑOS A LA PROPIEDAD, NO INTENTAR OPERAR este equipo de soldar hasta haber leído y entendido el siguiente resumen de seguridad.**
- Bajo ningún motivo hacer contacto físico con parte alguna de la soldadora durante el circuito de corriente para soldar, que incluye:
 - a. La pieza de trabajo o cualquier material conductor en contacto con ésta,
 - b. La pinza de conexión a tierra,
 - c. El electrodo o alambre de soldar,
 - d. Cualquier otra pieza metálica en el sujetador del electrodo o pistola alimentadora de alambre.
- No soldar en un área húmeda ni entrar en contacto con una superficie húmeda o mojada.
- No intentar soldar si es que alguna parte de la ropa o del cuerpo estuviese mojada.
- No permitir que el equipo de soldar entre en contacto con agua o humedad.
- No arrastrar los cables soldadores, la pistola alimentadora de alambre, ni el cordón de suministro eléctrico de la soldadora. Tampoco permitir que éstos entren en contacto con agua o humedad.
- No tocar la soldadora, intentar encenderla o apagarla si alguna parte del cuerpo o de la ropa está húmeda o si usted está en contacto físico con agua o humedad.
- No intentar enchufar la soldadora a un suministro eléctrico si alguna parte del cuerpo o de su ropa está húmeda o si usted está en contacto con agua o humedad.
- No conectar el sujetador ni soldar la pieza de trabajo a un tubo conductor de electricidad.
- No alterar el cordón de suministro eléctrico, ni el enchufe en forma alguna.
- No intentar enchufar la soldadora a un tomacorriente si la clavija para conexión a tierra en

el enchufe del cordón estuviese doblado, roto o faltante.

- No permitir que la soldadora se conecte a un tomacorriente, ni intentar soldar si la soldadora, los cables para soldar, el lugar donde se va a soldar o el cordón de suministro eléctrico están expuestos en forma alguna a precipitación atmosférica, salpicaduras o chorros de agua salada.
- No cargar los cables de soldadura enrollados alrededor del hombro ni parte alguna del cuerpo cuando estén enchufados a la soldadora.
- No modificar el cableado, las conexiones a tierra, interruptores ni fusibles del equipo de soldar.
- Usar guantes de soldar para ayudar a aislar las manos del circuito de soldadura.
- Mantener todos los envases con líquidos alejados lo suficiente de la soldadora y de la zona de trabajo, de modo que si el líquido se derrama no tenga posibilidades de entrar en contacto con parte alguna de la soldadora o del circuito eléctrico de soldar.
- Reemplazar INMEDIATAMENTE cualquier pieza rajada o dañada que estuviese aislada o sirvan de aislamiento, como los cables de soldar, el cordón de suministro eléctrico o el sujetador de electrodos.

DESTELLOS PELIGROSOS



ADVERTENCIA

¡LOS RAYOS DE LOS ARCOS PUEDEN LESIONAR LOS OJOS Y QUEMAR LA PIEL!

Para evitar estos riesgos, se debe leer, entender y acatar las siguientes instrucciones de seguridad. Adicionalmente, cerciorarse que todas las personas que operen el equipo de soldar y que estén en el área de la soldadura, también entiendan y acaten estas medidas de seguridad. La careta y la lente filtrante deben cumplir con la Norma Z87.1 de ANSI.

- No mirar a un arco eléctrico sin la protección adecuada. Un arco eléctrico es extremadamente brillante y con protección ocular adecuada o sin ella, la retina puede quemarse dejando una mancha negra permanente en el campo de visión. Debe usarse una careta con un lente oscuro No. 10 (mínimo).
- No encender el arco de soldar hasta que todos los observadores y usted (el soldador) tengan puesta su careta de soldar.
- No usar cascos ni caretas rajadas o rotas, y reemplazar inmediatamente los lentes filtrantes.

- Para prevenir la formación de un arco eléctrico no permita que la parte sin aislamiento de la pistola surtidora de alambre toque la pinza de tierra o la pieza conectada a tierra.
- Proveer caretas con lente filtrante No. 10 a los observadores.
- Usar ropa protectora. La luz intensa del arco de soldadura puede quemar la piel de la misma forma que el sol, aún a través de ropa liviana. Use ropa oscura de material pesado. La camisa que se use debe ser de manga larga y el cuello debe mantenerse abotonado para proteger el pecho y el cuello.
- Protección contra los reflejos de los rayos del arco. Los rayos del arco pueden reflejarse en superficies brillantes como las superficies con pintura brillante, de aluminio, acero inoxidable y vidrio. Es posible que sus ojos se lesionen por los reflejos de los rayos del arco, aún cuando se use careta protectora. Si suelda con una superficie reflexiva atrás suyo, los rayos del arco pueden rebotar de la superficie, luego de los lentes filtrantes al costado de su careta y de ahí a sus ojos. Si existe un fondo reflexivo en la zona del trabajo de soldadura, sáquelo o cúbralo con algo no inflamable y no reflexivo. Los rayos que reflejan de los arcos también pueden causar quemaduras de la piel, además de lesiones a los ojos.
- No usar preparaciones inflamables en el cabello.
- No toque la acumulación o poza de soldadura hasta que se haya enfriado.
- No soldar en un área hasta haber verificado que no existan materiales combustibles y/o inflamables. TENER EN CUENTA que las chispas y la escoria puede volar 11 m (35') y pasar por pequeñas rajaduras o aberturas. Si su trabajo y los materiales combustibles no pueden mantenerse separados un mínimo de 11 m (35'), protegerlos adecuadamente para que no se enciendan, colocándoles cubiertas protectoras resistentes al fuego.
- No soldar en paredes hasta haber revisado que no existan materiales combustibles haciendo contacto al otro lado de las paredes, y si las hubiese, sacarlas.
- No soldar, cortar, ni realizar trabajos similares en tambores, cilindros, tanques, ni otros contenedores que hayan contenido sustancias inflamables o tóxicas. Las técnicas para evacuar las sustancias y vapores inflamables para que un contenedor quede seguro para soldar o cortar, son bastante complejas y requieren entrenamiento y capacitación especial.
- No formar un arco eléctrico en un cilindro de gas o de aire comprimido, ni en contenedor presurizado alguno; porque se creará un área quebradiza que podría causar una ruptura violenta inmediatamente o en el futuro como consecuencia de una manipulación ruda.
- No soldar ni cortar en una zona donde el aire pueda contener polvo inflamable (como polvo de granos), gases, líquidos o vapores (como de gasolina).
- No agarrar metales calientes como la pieza de trabajo o los restos de electrodos con las manos desnudas.
- Usar guantes de cuero, camisa gruesa de manga larga, pantalones sin dobladillo o basta, botines que cubran los pies hasta arriba, casco, careta y capa. Según fuese necesario, usar ropa protectora adicional como saco con mangas de cuero, polainas o mandil resistentes al fuego. Las chispas o metales calientes pueden alojarse en dobladillo de las mangas, la basta de los pantalones o los bolsillos. Los puños y los cuellos de las camisas deben mantenerse abotonadas y se debe eliminar los bolsillos del pecho de la camisa.
- ¡Tener equipos extintores de incendio a mano para uso inmediato! Se recomienda un

RIEGOS DE INCENDIO



ADVERTENCIA

¡LOS INCENDIOS O EXPLOSIONES PUEDEN CAUSAR MUERTE, LESIONES Y DAÑOS A LA PROPIEDAD! Para evitar estos riesgos, se debe leer, entender y acatar las siguientes instrucciones de seguridad.

Adicionalmente, cerciorarse que todas las personas que operen el equipo de soldar y que estén en el área de la soldadura, también entiendan y acaten estas medidas de seguridad.

¡RECUERDE! Por su naturaleza, los arcos de soldar producen chispas, gotean metal derretido y escoria caliente y pedazos de metal caliente que pueden iniciar incendios, quemar la piel y lesionar los ojos.

- No usar guantes ni ropa que contenga aceite, grasa u otras sustancias inflamables.

- extintor portátil de químico tipo ABC.
- Cuando se suelde en posiciones por encima de la cabeza, usar tapones de oídos para evitar que las chispas o la escoria caliente caigan dentro de los oídos.
- Asegurarse que el área donde se suelda tenga un piso bueno, sólido y seguro, preferiblemente de concreto o mampostería, sin losetas, alfombras ni otros materiales inflamables.
- Proteger las paredes, cielo raso, y los pisos de materiales inflamables con cobertores resistentes al calor.
- Antes de abandonar el área donde se ha soldado, revisar que no queden chispas, metales o escoria caliente, ni llamas.

RIESGOS DE VAPORES



ADVERTENCIA

¡LAS EMANACIONES, GASES Y VAPORES PUEDEN CAUSAR INCOMODIDAD, ENFERMEDAD O MUERTE! Para evitar estos riesgos, se debe leer, entender y acatar las siguientes instrucciones de seguridad.

Adicionalmente, cerciorarse que todas las personas que operen el equipo de soldar y que estén en el área de la soldadura, también entiendan y acaten estas medidas de seguridad.

- No soldar en un área si no hasta después de haber verificado que tenga ventilación adecuada según lo descrito en la Norma Z49.1 de ANSI. Si la ventilación no es adecuada para intercambiar los vapores y gases generados durante el proceso de soldadura con aire fresco, no soldar a menos que usted (el soldador) y todas las otras personas en el área de la soldadura usen equipos respiradores autocontenidos.
- No calentar metales cubiertos con o que contengan materiales que produzcan vapores tóxicos (como acero galvanizado), a menos que primero se saque el recubrimiento. Asegurarse que el área esté bien ventilada y que el operador y todas las otras personas en el área de la soldadura usen equipos respiradores autocontenidos.
- No soldar, cortar ni calentar plomo, zinc, cadmio, mercurio, berilio, ni metales similares sin asesoramiento profesional y sin haber inspeccionado la ventilación del área donde se va a soldar. Estos metales producen vapores **EXTREMADAMENTE TÓXICOS** que pueden causar incomodidad, enfermedad o muerte.

- No soldar ni cortar en áreas donde existan solventes clorinados. Los vapores de los hidrocarburos clorinados tales como el tricloroetileno y percloroetileno, pueden descomponerse con el calor de un arco eléctrico o su radiación ultravioleta. Esto puede generar fosgeno, un gas altamente tóxico y otros gases irritantes de los ojos y los pulmones. No soldar ni cortar cuando estos vapores puedan ingresar al área de trabajo o donde la radiación ultravioleta pueda penetrar a las áreas que contienen aunque sea pequeñas cantidades de esos vapores.
- No soldar en un área confinada a menos que esté bien ventilada o el operador y todas las otras personas en el área de la soldadura usen equipos respiradores autocontenidos.
- Si se desarrolla una irritación momentánea de los ojos, nariz o garganta, deje de soldar porque esto significa que la ventilación no es adecuada. Paralice el trabajo y tome las medias necesarias para mejorar la ventilación en el área de la soldadura. No reinicie la soldadura si la incomodidad física persiste.

RIESGOS DE GASES COMPRIMIDOS Y DE SUS EQUIPOS



ADVERTENCIA

¡LA MANIPULACIÓN O EL MANTENIMIENTO INADECUADO DE LOS CILINDROS DE GAS COMPRIMIDO O DE LOS REGULADORES PUEDE CAUSAR LESIONES SERIAS O MUERTE!

Para reducir el riesgo de muerte o lesiones serias por gases comprimidos o sus equipos, leer, entender y seguir las siguientes instrucciones de seguridad. Adicionalmente, cerciorarse que todas las personas que operen el equipo de soldar o que estén en el área de la soldadura, también entiendan y sigan estas instrucciones de seguridad.

- No usar gases inflamables en soldadoras MIG, sólo se deben usar gases inertes o no inflamables como por ejemplo dióxido de carbono, argón, helio, etc. o mezclas de estos gases.
- No intentar mezclar gases ni rellenar los cilindros usted mismo. No exponer los cilindros a calor excesivo, chispas, escoria, llamas, etc. Los cilindros expuestos a temperaturas superiores a 54°C (130°F) necesitan rociarse con agua para que se enfríen.

- No exponer los cilindros a tipo alguno de electricidad.
- No usar los cilindros o su contenido para propósitos diferentes a los que están indicados. No usar los cilindros como soportes ni como rodillos.
- No colocar los cilindros en corredores ni vías de tránsito donde los puedan golpear o tumbar.
- No usar llave para tuercas ni martillo para abrir las válvulas de los cilindros que no puedan abrirse a mano. Comunicarse con el proveedor.
- No modificar ni intercambiar acoples, válvulas, medidores, reguladores, etc. entre cilindros de gases.
- No ocultar ni alterar el nombre, número u otras marcas identificadoras de los cilindros. No confiarse en el color de los cilindros para identificar su contenido.
- No conectar un regulador a un cilindro conteniendo gas diferente a aquel para el cual el regulador fue diseñado.
- No intentar reparar los reguladores, enviar los que estén defectuosos al centro de servicios recomendado por su fabricante para que lo reparen.
- No intentar lubricar los reguladores.
- Siempre cambiar los cilindros cuidadosamente para prevenir las fugas por daños a sus paredes, válvulas o dispositivos de seguridad.
- Siempre amarrar los cilindros con cadena de acero para evitar que se tumben.
- Siempre proteger los cilindros, especialmente sus válvulas, contra golpes, caídas, caída de objetos o el clima. Recuerde que los gases dentro de los cilindros están presurizados y que un daño a un regulador o a una de sus partes puede hacer que salga explosionado o disparado del cilindro como un proyectil.
- Siempre mantener las tapas aseguradas en los cilindros cuando se muevan.
- Siempre cerrar la válvula y sacar de inmediato el regulador defectuoso para que lo reparen si se presenta alguna de las siguientes condiciones:
 - Fugas del gas.
 - La presión de salida sigue aumentando cuando la válvula corriente abajo está cerrada.
 - La aguja indicadora del medidor no se mueve de la posición "Vacio/Parada"

aunque el cilindro esté presurizado o no regresa a "Vacio/Parada" después de despresurizarse.

INFORMACIÓN ADICIONAL DE SEGURIDAD

Para información adicional referente a la seguridad para soldar, referirse a las siguientes Normas y cumpla con lo que sea aplicable.

- Norma Z49.1 de ANSI-Seguridad para Soldar y Cortar: Se puede obtener en la Sociedad Americana de Soldadura, 550 NW Le Jeune, Miami, FL. 33126, teléfono (800) 443-9353, fax (305) 443-7559; www.amweld.org o www.aws.org
- Norma Z87.1 de ANSI, Prácticas Seguras para el Trabajo y Educación para la Protección de los Ojos y la Cara: Se puede obtener en el Instituto Nacional Americano de Normas, 11 West 42nd Street, New York, New York 10036, teléfono (212) 642-4900, fax (212) 398-0023, www.ansi.org
- Norma 51B NFPA, Proceso de Corte y Soldadura: Se puede obtener en la Asociación Nacional de Protección Contra Incendios, 1 Batterymarch Park, P.O. Box 9101, Quince, Ma. 02269-9101, teléfono (617) 770-3000, fax (617) 770-0700, www.nfpa.org
- Norma 29CFR de OSHA, parte 1910, Sección Q, Soldadura, Corte y Soldadura Fuerte: Se puede obtener en la oficina de OSHA en su estado, o en la Secretaría de Trabajo de EE.UU. Oficina de Relaciones Publicas, Room N3847, 200 Constitución Ave., Washington D.C. 20210, www.osha.gov
- Norma W117.2 de CSA, Código de Seguridad para Soldar y Cortar: Puede obtenerse de la Asociación Canadiense de Normas, 178 Rexdale Boulevard, Etobicoke, Ontario, M9W 1R3, www.csa.ca
- Norma A6.0 de la Asociación Americana de Soldadura – Soldadura y Corte de Contenedores que han Contenido Combustible: Se puede obtener de la Sociedad Americana de Soldadura, 550 NW Le Jeune Road, Miami, FL 33126, teléfono (800) 443-9353, fax (305) 443-7759, www.amweld.org o www.aws.org

ESPECIFICACIONES DE LA SOLDADORA

DESCRIPCIÓN

Su nueva soldadora MIG (Gas Inerte al Metal) con alimentador de alambre está diseñada para trabajos de mantenimiento y fabricaciones con soldadura de planchas metálicas. La soldadora se compone de un transformador, estabilizador y rectificador de corriente de una fase y alimentador/controlador de alambre soldador integrado de diseño exclusivo. Ahora ya puede soldar láminas de metal calibre 18 y hasta de 6,35mm (1/4") de espesor con una sola pasada. Puede soldar acero de mayor espesor con técnicas de biselado y de pasadas múltiples. La Tabla 1 muestra las especificaciones de su soldadora MIG con alimentador de alambre.

Tabla 1. Especificaciones de la soldadora

Entrada primaria	220 VCA
Entrada primaria	22.5 Amps.
Fases	Una
Frecuencia	60 Hz
Voltaje secundario de salida	20 V
Amperaje secundario de salida UL	150 Amps.
Voltaje Máx. de circuito abierto	30 VCD
Ciclo de funcionamiento	25%@120A

La soldadoras MIG equipadas con gas pueden soldar con alambre macizo de acero, bronce o aluminio de 0,024 pulgadas (0,6mm) y 0,030 pulgadas (0,8mm) en polaridad invertida de CC y con alambre auto-protégido con núcleo de fundente de 0,030 pulgadas (0,8mm) y 0,035 pulgadas (0,9mm) en polaridad correcta de CC. La utilización de alambres más gruesos hace que la soldadura sea más difícil y no se pueden garantizar los resultados. No se recomienda el uso de alambre de más de 0,035 de diámetro.

CARACTERÍSTICAS DE OPERACIÓN DE LA SOLDADORA

CICLO DE FUNCIONAMIENTO

El ciclo de trabajo de una soldadora define cuanto tiempo puede soldar el operador, y cuanto tiempo se debe esperar para que la soldadora se recupere y se enfríe. El ciclo de trabajo se expresa como un porcentaje de 10 minutos y representa el tiempo máximo permitido de soldadura. El resto del ciclo de 10 minutos se necesita para el enfriamiento.

Esta soldadora tiene un ciclo de trabajo del 25% a la carga nominal. Esto significa que usted puede soldar por 2,5 minutos de cada 10 minutos, necesitando los 7,5 minutos restantes para enfriamiento. (Ver Tabla 2).

Tabla 2. Ciclos de funcionamiento

Porcentaje de trabajo del Ciclo	Tiempo Nominal de Soldadura	Tiempo de Descanso Requerido
10%	1 minutos	9 minutos
25%	2.5 minutos	7.5 minutos
50%	5 minutos	5 minutos
75%	7.5 minutos	2.5 minutos
100%	10 minutos	0 minutos

PROTECCIÓN TÉRMICA INTERNA

PRECAUCIÓN

No exceder constantemente del ciclo nominal de trabajo porque se podría dañar esta soldadora. Si se excede el ciclo nominal de trabajo de la soldadora, un interruptor térmico interno se abrirá para interrumpir todas las funciones de la soldadora excepto el ventilador de enfriamiento. Si ocurre esto, **NO APAGUE LA SOLDADORA**, déjela encendida para que el ventilador siga funcionando. Después de enfriarse, el protector térmico se reactivará automáticamente y la soldadora funcionará normalmente otra vez. Sin embargo, se debe esperar por lo menos 10 minutos después que el protector térmico se abra, para poder reanudar el trabajo de soldar. Debe hacerse esto incluso si el protector térmico se restablece automáticamente antes de los 10 minutos, o la soldadora rendirá menos del ciclo de trabajo especificado.

Si se observa que la soldadora no suelda por dos minutos sin tener que parar, reducir levemente la velocidad del alambre y afinar a la velocidad mínima que aún produzca un arco bien formado. Soldar con una velocidad excesivamente alta consume demasiada corriente eléctrica y acorta el ciclo de trabajo.

CONOZCA SU SOLDADORA

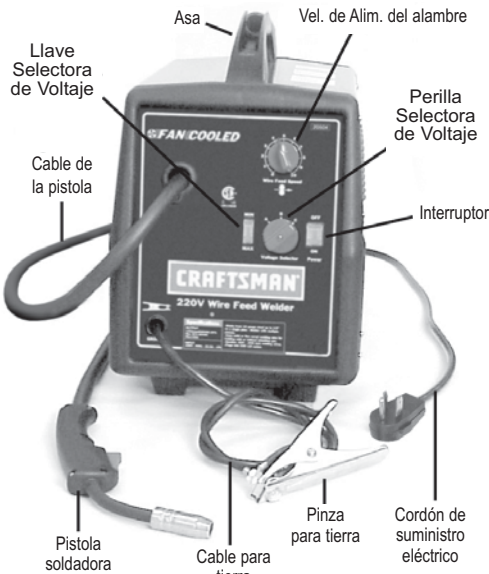


Figura 1. Soldadora Modelo 20504

Asa: Robusta, montada encima para facilitar el transporte de la soldadora.

Control de Velocidad del Alambre Soldador:

Usar este dial para regular la velocidad a la cual la soldadora alimenta el alambre a la pistola. 1 es la velocidad más lenta y 10 es la velocidad más rápida. Se tendrá que regular o “afinar” la velocidad del alambre para las diferentes condiciones de soldadura (espesor de los metales, soldadura con gas vs sin gas, tipo de metal, tamaños del alambre, etc.) Cuando se logre afinar la velocidad, el alambre de soldar se fusionará en el material que se está soldando tan pronto como pase por la pistola soldadora.

Selectores de Voltaje – Los selectores de VOLTAJE controlan el calor de la soldadura. Esta soldadora posee seis selecciones de voltajes (calor). Los voltajes menores (menos calor) se consiguen ajustando la **Llave Selectora de Voltaje** en la posición MIN y/o la **Perilla Selectora de Voltaje** en A. Los voltajes mayores (más calor) se consiguen ajustando la **Llave Selectora de Voltaje** en la posición MAX y/o la **Perilla Selectora de Voltaje** en C. Distintos materiales y espesores de material necesitarán ajustes diferentes de voltaje. Deberá ajustar el voltaje de acuerdo con las distintas condiciones de soldadura. Ajustando adecuadamente el voltaje y la velocidad de alimentación del alambre, logrará soldaduras

limpias y de precisión. (Refiérase al Cuadro de Ajustes Sugeridos de la Pág. 63 de este manual o en el interior de la puerta de la soldadora).

Interruptor: Enciende (ON) y apaga (OFF). (Cerciorarse que el interruptor esté en la posición de apagado (OFF) antes de realizar cualquier mantenimiento a la soldadora).

Cable de Alimentación – Es un cable de alimentación estándar NEMA 6-50P de 50 A y 220 V. (Asegúrese de usar una fuente de alimentación de 220 V CA, 60 c/s, monofásica de 50 amperes y correctamente conectada a tierra).

Pinza para Conexión a Tierra: Su conexión a la pieza de trabajo “completa” del circuito de corriente para soldar de la soldadora; de lo contrario no será posible soldar. Una mala conexión de la pinza de conexión a tierra hará perder corriente y calor. Raspe la suciedad, óxido, sarro, aceite o pintura antes de conectar la pinza.

Cable de Conexión a Tierra: Conecta la pinza a la parte interna de la soldadora.

Pistola Soldadora y Cable: La pistola soldadora controla el paso del alambre de soldar al material que se suelda. El alambre de soldar se alimenta a través del cable soldador y de la pistola soldadora cuando se aprieta el gatillo de la pistola. Antes de comenzar a soldar se necesita instalar una punta de contacto y una boquilla de soldar en el extremo de la pistola soldadora como se describe más adelante en este manual.

Términos Propios de la Soldadura: Ahora que se ha familiarizado con las partes principales de la soldadora, tome nota de los siguientes términos. Los verá a lo largo de éste manual.

Charco de soldadura fundida

(Weld puddle): Un volumen de metal de soldadura fundido antes que se solidifique.

Ángulo de Soldar: El ángulo en que el alambre de soldadura se extiende de la pistola soldadora a la pieza que se está soldando.

Escoria (Slag): La capa protectora que se forma en la superficie de los metales fundidos.

Arco: Una descarga luminosa o rayo sostenido de electricidad a través de una brecha en un circuito.

Cordón de Soldadura: La acumulación continuada extendida de soldadura que se forma empujando o jalando el metal de aporte fundido.

INSTALACIÓN DE LA SOLDADORA

UBICACIÓN

Seleccione un lugar limpio, seco y con suficiente lugar para trabajar alrededor de todos los componentes. La fuente de alimentación se enfría por medio de una corriente de aire forzado a través de los paneles anterior y posterior. No se debe obstruir este flujo de aire. Deje un espacio de por lo menos dos pies (60cm) adelante y atrás de la unidad para la libre circulación de aire.

CONEXIÓN AL SUMINISTRO ELÉCTRICO REQUISITOS DE CORRIENTE

Esta soldadora está diseñada para operar con corriente alterna (CA) monofásica de 220 voltios, 60 Hz y fusible de 50 amperios con retardo o interruptor de circuito. Se recomienda que un electricista capacitado verifique el VOLTAJE REAL en el tomacorriente donde se va a conectar la soldadora para confirmar que esté debidamente protegido con un fusible y conectado a tierra. El uso de un circuito de la capacidad adecuada eliminará las molestias de apertura de los interruptores de circuito cuando se esté soldando.

NO OPERAR ESTA SOLDADORA si el voltaje REAL del suministro es menor de 198VCA o mayor de 240VCA. Comuníquese con un electricista calificado si es que este problema existe. La soldadora funcionará inadecuadamente y/o se dañará si es que se opera con un suministro eléctrico inadecuado o excesivo.

CONEXIÓN AL TOMA CORRIENTE



ADVERTENCIA

¡Peligro de alto voltaje del tomacorriente!

Consultar a un electricista calificado para la instalación de un tomacorriente adecuado a la fuente eléctrica. Para proteger al operador contra choques eléctricos, esta soldadora debe estar conectada a tierra mientras esté en uso. Si no se tuviese la seguridad de que el tomacorriente este adecuadamente conectado a tierra, hacerlo revisar por un electricista calificado. No cortar, doblar ni alterar el enchufe en forma alguna, ni usar tipo alguno de adaptador entre el enchufe de la soldadora y el tomacorriente. Cerciorarse que la soldadora esté con el interruptor en OFF (apagado) antes de conectarla a un tomacorriente adecuado de 220 VCA, 60Hz, monofásico, 50amp.

CORDONES DE EXTENSIÓN

Para el rendimiento óptimo de la soldadora, no

se deben usar cordones de extensión a menos que sea absolutamente necesario. Si éste fuese el caso, tener cuidado de seleccionar el cordón de extensión adecuado para la soldadora específica en uso. Seleccionar un cordón de extensión que conecte debidamente a tierra directamente en el tomacorriente y en el enchufe de la soldadora sin usar adaptadores. Cerciorarse que el cordón de extensión sea de los alambres adecuados y que esté en buenas condiciones eléctricas. Los cordones de extensión deben tener alambres Cal. 12 como mínimo y no deben exceder de 7,6m (25') de largo.

ENSAMBLAJE DE LA SOLDADORA

El siguiente procedimiento describe el proceso para ensamblar, instalar, mantener y prepararse para soldar con la nueva soldadora con alimentador de alambre.

DESEMBALAJE DE LA SOLDADORA

1. Extraer todas las cajas o bolsas que contengan piezas o accesorios. (La mayoría de las piezas se embarcan dentro de la soldadora, abrir la puerta.)
2. Abrir las cajas o bolsas de embalaje e inspeccionar que su contenido no haya sufrido daños.
3. Disponer las piezas sobre una superficie y compararlas contra la lista de embalaje en la Tabla 3 para familiarizarse con ellas y saber como se les denomina. Esto ayudará cuando se lea el manual.

LISTA DE CONTENIDO

La Tabla 3 Contiene una lista de las piezas que se encontrarán en la caja.

Tabla 3 – Lista de Embalaje

Pieza	Cantidad
Soldadora	1
Careta para Soldar	1
Mango de la Careta para Soldar	1
Lente Oscuro	1
Asa de la Soldadora	1
Tornillo para el Asa	2
Pata Delantera y Posterior	1 c/u
Tornillos para Patas	4
Cepillo de Alambre/Martillo	1
Bolsa con Piezas	1
Punta de Contacto 0,024"	5
Punta de Contacto 0,030"	5
Punta de Contacto 0,040"	5
Boquilla	2
Alambre Flux-Core 0,030"	227gr (1/2 Lb)
Manual de Instrucciones	1

ENSAMBLAJE DE LA CARETA PARA SOLDAR

1. Quitar la uñas retenedoras de la lente y la tuerca del mango del brazo de la careta. (¡NO DESECHARLOS!)
2. Colocar la lente oscuro en el espacio provisto en la careta.
3. Insertar los tornillos sujetadores de la lente en los orificios a ambos lados de la lente hasta que ajusten contra la lente.
4. Insertar la punta roscada del mango en el orificio de la careta. Presionar firmemente hasta que las roscas de la punta y la punta más pequeña de abajo se enganchen en posición.
5. Desde el lado de dentro de la careta, enroscar la tuerca del mango firmemente en la punta. Para el ensamblaje de la careta, Ver la Figura 2

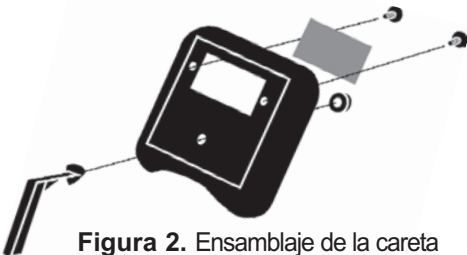


Figura 2. Ensamblaje de la careta

INSTALACIÓN DEL ASA

1. Insertar las pestañas del asa en las ranuras que están encima de la soldadora.
2. Insertar un tornillo grande de ranura recta (incluido en la bolsa de accesorios) en cada orificio del asa de la soldadora.
3. Ajustar firmemente ambos tornillos con un desarmador de punta plana. (Ver Figura 3)

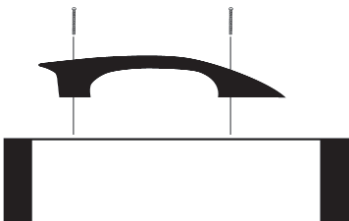


Figura 3. Instalación del Asa

INSTALACIÓN DE LAS PATAS

Ubicar las dos patas plásticas negras para la soldadora. (Las patas frontales son ligeramente más largas que las posteriores).

1. Echar la soldadora sobre su costado.
2. Alinear los orificios de las patas frontales con los orificios en la parte inferior de la soldadora. La cara curva de las patas frontales deben mirar hacia afuera (frente) de la soldadora.
3. Insertar los dos tornillos con cabeza en

cruz (incluidos en la bolsa de piezas) en los orificios.

4. Ajustar ambos tornillos firmemente con un desarmador con punta en cruz.
5. Alinear los orificios de las patas posteriores con los orificios en la parte posterior inferior de la soldadora. La cara curva de las patas posteriores deben mirar hacia afuera (atrás) de la soldadora.
6. Insertar los dos tornillos con cabeza en cruz (incluidos en la bolsa de piezas) en los orificios.
7. Ajustar ambos tornillos firmemente con un desarmador con punta en cruz. (Ver la Fig. 4)

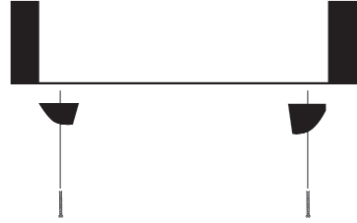


Figura 4. Instalación de las patas

SELECCIÓN DEL GAS PROTECTOR

El gas protector juega un papel importante en el proceso de soldadura MIG. Es crítico que el charco de soldadura fundida esté protegido de la atmósfera. El gas auto-protégido crea una capa protectora alrededor del charco de soldadura fundida para impedir que las impurezas del aire lo contaminen. Una protección inadecuada dará como resultado una soldadura porosa o quebradiza.

No obstante que existen muchos gases y muchas mezclas de gases para soldadura MIG, las siguientes recomendaciones se hacen basadas en las características de la salida de corriente de esta soldadora MIG y su capacidad para soldar los diversos espesores de metales.

Selección del gas para soldar con alambre de acero

Ya sea para acero blando o bajo en carbón (estructural de gran fuerza) usar una mezcla de gas de 75% de argón y 25% de dióxido de carbono. NO USAR una concentración de argón superior al 75% para el acero porque la soldadura tendrá extremadamente poca penetración, será porosa y quebradiza.

La mezcla de gas ayuda a prevenir las quemaduras y distorsiones en acero muy delgado a la vez que provee buena penetración en el acero más grueso. Su capacidad para evitar salpicaduras da como resultado una soldadura limpia, pareja y de buena apariencia. Adicionalmente,

proporciona buen control del charco de soldadura fundida para cuando se suelda en superficies verticales o elevadas suspendidas.

Selección del Gas para Soldar Acero Inoxidable

El mejor gas auto protegido para soldar acero inoxidable es una mezcla de 90% de helio con 7,5% de argón y 2,5% de dióxido de carbono. Sin embargo, también se puede usar 100% de argón; pero aumentará el área de calentamiento por el arco, creando una distorsión levemente mayor en el metal base.

Selección del Gas para Soldar Acero con Alambre de Silicio y Bronce

Sólo usar argón puro cuando se suelde con alambre de silicio y bronce.

Selección de Gas para Soldadura de Aluminio con Alambre de Aluminio

Utilice únicamente Argón puro al soldar aluminio.

INSTALACIÓN DEL GAS PROTECTOR



ADVERTENCIA

¡LA MANIPULACIÓN O EL MANTENIMIENTO INADECUADO DE LOS CILINDROS DE GAS COMPRIMIDO O DE LOS REGULADORES PUEDE CAUSAR LESIONES SERIAS O MUERTE! Siempre fijar los cilindros de gas contra la carretilla de la soldadora, una pared o un soporte fijo para evitar que se caigan y se rompan. Leer, entender y seguir todas las instrucciones para evitar RIESGOS DE GASES COMPRIMIDOS Y EQUIPO RELACIONADO en el RESUMEN DE SEGURIDAD al principio de este manual. Fijar el cilindro de gas a la carretilla de la soldadora o a algún otro soporte fijo.

1. Quitar la tapa protectora del cilindro y revisar las roscas de conexión del regulador y limpiar el polvo, aceite o grasa con un paño limpio. **NO INSTALAR EL REGULADOR SI TIENE ACEITE, GRASA O DAÑOS.**
2. Abrir la válvula del cilindro **POR UN INSTANTE** para expulsar cualquier material extraño que se encuentre en el orificio de la válvula. Nunca apuntar la descarga de la válvula hacia usted ni a otras personas.
3. Enroscar el regulador en la válvula del cilindro y ajustarla con una llave.
4. Insertar la manguera de gas firmemente en el conector arponado en la parte posterior de la soldadora y del regulador.

5. Asegurar ambos extremos de la manguera a los conectores arponados con abrazaderas para manguera.

VERIFICACIÓN DEL FLUJO DE GAS



ADVERTENCIA

¡LA MANIPULACIÓN O EL MANTENIMIENTO INADECUADO DE LOS CILINDROS DE GAS COMPRIMIDO O DE LOS REGULADORES PUEDE CAUSAR LESIONES SERIAS O MUERTE! Para reducir el riesgo de lesión o muerte, siempre pararse del lado contrario al regulador cuando abra la válvula del cilindro, manteniendo la válvula del cilindro entre usted y regulador. Nunca apunte la descarga de la válvula del cilindro a usted u otras persona. Si no toma esta precaución podría causar lesiones graves.

Nota: Si el cilindro que está equipado con un regulador con conector macho en vez de hembra, conseguir un adaptador especial para cilindros de gas donde su proveedor de gas, para instalarlo entre el cilindro de gas y el regulador.

- La función de control del gas no requiere que la soldadora este encendida ni enchufada al tomacorriente.
 - Para evitar daños al regulador, cerciorarse que la válvula del regulador este cerrada antes de abrir la válvula del cilindro.
1. Abrir la válvula del cilindro muy levemente y luego abrirla **COMPLETAMENTE**.
 2. Apretar el gatillo de la pistola para permitir que el gas fluya. **MANTENER EL GATILLO APRETADO**, escuchar y observar si el gas sale por la pistola soldadora. Si el regulador es fijo, viene preajustado de fábrica para un flujo de 566 L/hora (20 Pies³/hora). Si el regulador permitiese controlar el flujo de gas, girarlo en el sentido del reloj para aumentar el flujo y contra el sentido del reloj para disminuirlo. Para la mayoría de soldaduras el flujo de gas debe graduarse entre de 425 a 566 L/hora (15 a 20 Pies³/hora). Si no se oye o se siente el gas, repasar todos los pasos seguidos para conectar el gas.
 3. Soltar el gatillo.

Nota: Si está soldando a la intemperie o donde haya corrientes de aire, puede ser necesario colocar una barrera contra el viento para evitar que el gas protector se disperse y se aleje del área de soldar.

-RECUERDE CERRAR LA VÁLVULA DEL CILINDRO DE GAS CUANDO TERMINE DE SOLDAR.

ALINEAMIENTO Y REGULACIÓN DEL RODILLO DE AVANCE

Antes de instalar cualquier alambre soldador en la unidad, debe colocar la ranura del tamaño adecuado en posición en el mecanismo de avance del alambre.

Cambiar el rodillo de avance de acuerdo a los siguientes pasos:

1. Aliviar la tensión de avance desenroscando **COMPLETAMENTE** (contra el sentido del reloj) el tornillo tensor hasta soltarlo y permitiendo tirar del brazo tensor para separarlo del rodillo de avance. Asegúrese de mantener el tornillo y el resorte en su lugar con el brazo tensor.
2. Si hay alambre instalado en la soldadora, enrollarlo manualmente de vuelta a su carrete girando el carrete contra el sentido del reloj. Tener cuidado de no permitir que el alambre salga por atrás de la pistola sin sujetarlo, porque se desenrollará solo. Para mantener el alambre enrollado, insertar la punta del alambre por el agujero del borde exterior del carrete y doblarlo. Sacar el carrete de alambre de la soldadora.
3. Aflojar el tornillo de fijación del rodillo de avance con la llave hexagonal provista y sacarlo de su eje.

Nota: El rodillo de avance tiene dos ranuras de diferente tamaño para alimentar alambres de distinto diámetro. Al instalar el rodillo de avance, el número estampado que corresponde al calibre del alambre que va a usar debe quedar en dirección opuesta a usted. Si después de colocarse puede leer el calibre estampado del alambre, el rodillo está instalado al revés. Usar solamente rodillos de avance del tamaño adecuado para la soldadora.

4. Localice el costado del rodillo de alimentación que esté estampado con el mismo diámetro del alambre a instalar (ver Figura 5). Empuje el rodillo de alimentación sobre el eje del motor, alineando el tornillo de ajuste con el lado plano del eje de alimentación. Asegúrese que el lado estampado con el diámetro

del alambre deseado no se encuentre hacia usted.

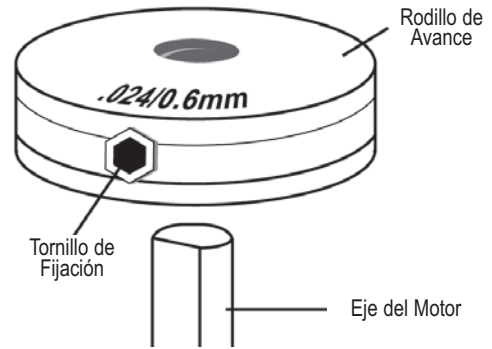


Figura 5. Rodillo de Avance

5. Deslizar el rodillo en el eje con la ranura del rodillo alineada con el tubo de entrada del tubo y el forro de la pistola soldadora.
6. Ajustar el tornillo de fijación a la vez que se sujeta el rodillo de avance en su lugar.

INSTALACIÓN DEL ALAMBRE SOLDADOR



ADVERTENCIA

¡LAS DESCARGAS ELÉCTRICAS PUEDEN MATAR! Siempre apagar la soldadora poniendo el interruptor en la posición "OFF" y desenchufar del tomacorriente antes de instalar el alambre.

Tener mucho cuidado al sacar la boquilla soldadora. La punta de contacto de esta soldadora se mantiene caliente eléctricamente mientras que la soldadora este encendida. Asegurarse de apagarla.

1. Sacar la boquilla y la punta de contacto del extremo de la pistola soldadora.
2. Quitarle la tapa al carrete.
3. Desenrollar el alambre del carrete y encontrar su extremo (pasa por el orificio en el borde exterior del carrete y está doblado para evitar que el alambre de desenrolle). **PERO NO DESENGANCHARLO AÚN.**
4. Colocar el carrete en el eje de modo que el alambre al salir del carrete quede como en la ilustración superior en la Figura 6. El alambre soldador siempre

debe salir por encima del carrete y entrar en el mecanismo de avance.

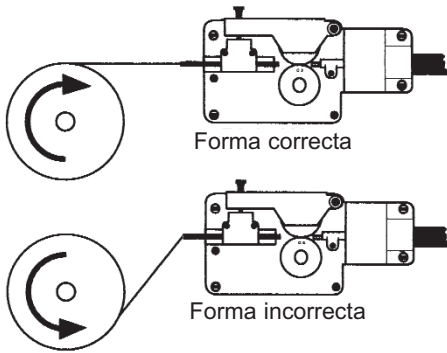


Figura 6. Instalación Correcta del Alambre

5. Si se está instalando un carrete de alambre de 10cm (4”), instalar el mecanismo del freno sobre el carrete como en la Figura 7A; pero si se instala un carrete de 20 cm (8”), instalar un adaptador de eje y el mecanismo de freno como en la Figura 7B. El propósito del freno es detener el giro del carrete casi al mismo tiempo que se interrumpe la alimentación del alambre.

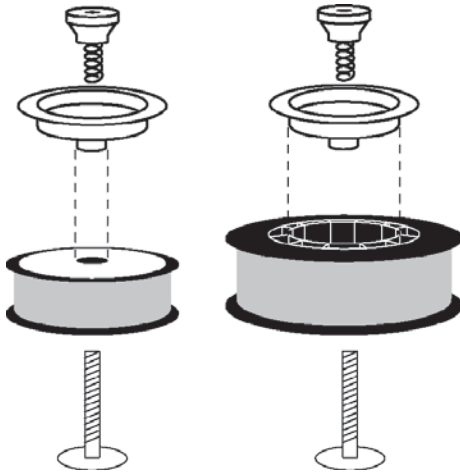


Figura 7A.
Instalación del mecanismo del freno

Figura 7B.
Instalación del adaptador para el eje y del mecanismo del freno

6. Una vez que haya instalado el mecanismo de alimentación y freno, ajuste la tensión del rollo.
 - a) Con una mano, gire el rollo de alam-

bre y continúe girándolo mientras ajusta la tensión del rollo.

- b) Con su mano libre, ajuste (en el sentido de las agujas del reloj) la perilla de ajuste de tensión de alimentación.
- c) Deje de ajustar al sentir que está arrastrando el rollo de alambre que está girando, luego deje de girar el rollo de alambre.

Nota: Si se aplica DEMASIADA tensión al carrete, el alambre resbalará en el rodillo de avance o no podrá alimentarse. Si hay MUY POCA tensión, el carrete de alambre tenderá a desenrollarse solo. Regular la tensión del freno según sea necesario para evitar estos problemas.

7. Después de verificar que la soldadora esté desconectada del tomacorriente, destrabar la punta de alambre del carrete, pero no la suelte hasta que se le indique porque el alambre desenrollará solo.
8. Usando una tenaza cortadora, cortar la punta doblada para que el alambre quede recto.
9. Aflojar el tornillo tensor sujetando el brazo tensor del mecanismo de avance en su lugar y levantándolo para sacarlo del rodillo.
10. Insertar la punta del alambre por el tubo guía de entrada y empujarlo pasando el rodillo de avance y hasta que entre unos 15 cm. (6”) en la pistola soldadora.

PRECAUCIÓN

Asegúrese que el alambre de soldar entre realmente por el forro de la pistola y que no haya entrado accidentalmente a lo largo del forro o en otra dirección. Si esto sucede, el alambre podría alimentarse hacia adentro de la cubierta del cable o podría tomar un ángulo recto y seguir por los cables o por la manguera de gas, dentro de la soldadora. También podría retroalimentarse atorando el mecanismo.

11. Alinear el alambre con la ranura interior del rodillo de avance y dejar que el brazo tensor caiga sobre el rodillo de avance.
12. Vuelva a colocar el liberador rápido de tensión en su posición en el brazo tensor de alimentación.

13. Ajuste (en el sentido de las agujas del reloj) la perilla de ajuste de tensión de alimentación hasta que el rodillo tensor aplique suficiente fuerza sobre el alambre como para que no se salga del mecanismo de alimentación.
14. Soltar el alambre.
15. Conecte el cable de alimentación de la soldadora a la fuente de alimentación de CA. Encienda la soldadora. Ajuste la llave y perilla de VOLTAJE al voltaje (calor) recomendado para el espesor del metal a soldar. Fíjese en la etiqueta del interior del compartimiento de la soldadora para determinar el voltaje (calor) recomendado para su trabajo de soldadura. Los selectores de VOLTAJE controlan el calor de la soldadura. Esta soldadora posee seis selecciones de voltajes (calor). Colocando la llave de voltaje en MIN y la perilla de voltaje en A proporciona el menor voltaje (calor). Colocando la llave de voltaje en MAX y la perilla de voltaje en C proporciona el mayor voltaje (calor).
16. Graduar el control de VELOCIDAD DEL ALAMBRE a la mitad del rango.
17. Apretar el gatillo de la pistola soldadora para alimentar alambre a través de la pistola.
18. Soltar el gatillo cuando salgan unos tres centímetros por la boca de la pistola.
19. Seleccione una punta de contacto estampada con el mismo diámetro que el alambre utilizado.

Nota: Debido a las variaciones propias del alambre soldador de núcleo fundente auto-protégido, podría obstruirse y sería necesario usar una punta de un número más grande que el alambre soldador.

20. Deslizar la punta de contacto sobre el alambre que sobresale de la boca de la pistola y enroscarla apretando firmemente a mano.
21. Instale la boquilla en la pistola. Para obtener los mejores resultados, cubrir el interior de la boquilla con aerosol o gel antiadherente.
22. Cortar el exceso de alambre que sobresale por la boquilla.

REGULACIÓN DE LA TENSIÓN DEL MECANISMO DE AVANCE



ADVERTENCIA

¡Los rayos de los arcos pueden dañar los ojos!

Para reducir el riesgo por destellos del arco, asegurarse que al salir el alambre soldador de la pistola, no haga contacto con la pinza de conexión a tierra, ni otra pieza de metal conectada a tierra, durante el proceso de ajuste de tensión del mecanismo, porque se podría formar un arco eléctrico.

1. Apretar el gatillo de la pistola.
2. Girar la perilla tensora de avance en el sentido del reloj, aumentando la tensión del alambre hasta que sienta que se alimenta bien sin resbalar.

Si se ajusta correctamente, no debe existir resbalamiento entre el alambre y el rodillo alimentador bajo condiciones normales. Si existe alguna obstrucción a lo largo del recorrido del alambre, el alambre resbalará sobre el rodillo alimentador.

Luego de ajustar correctamente la tensión, el liberador rápido de tensión puede destrabarse y volverse a trabar sin necesidad de reajustar la perilla de ajuste de tensión (a menos que se cambie el diámetro o el tipo de alambre).

INSTALACIÓN DEL ALAMBRE DE ALUMINIO

Instale el alambre de aluminio de la misma forma que el alambre de acero, pero con las siguientes excepciones:

1. Instale un revestimiento de teflón en la pistola soldadora.
2. Ajuste la tensión de alimentación con MUCHO cuidado. El alambre de aluminio es muy sensible a los pequeños cambios en la tensión de alimentación.

Nota: Para soldar aluminio con esta unidad, se recomienda el alambre de aleación 5356 debido a su calidad superior de alimentación. Se necesita un revestimiento de teflón. Al soldar con aleaciones de aluminio más blandas, puede experimentar problemas de alimentación. Para obtener los mejores resultados con aluminio, puede ser necesario utilizar una pistola de carrete.

CAMBIO DE POLARIDAD

Esta soldadora permite cambiar la polaridad de la corriente de soldar. Se puede seleccionar CD ya sea de polaridad regular (CD - soldadura de núcleo fundente) o polaridad inversa (CD + MIG). Para soldar acero con alambre macizo, acero inoxidable, endurecer acero con alambre de núcleo fundente o para soldar acero con alambre de silicio y bronce, seleccionar CD de polaridad inversa (CD + MIG). Al usar alambre de acero con núcleo fundente autoprotegido, usar CD de regular (CD - soldadura de núcleo fundente).

Cambiar la polaridad de la soldadora mediante los siguientes pasos. En la Figura 8 se ilustra la posición de las barras en el bloque de polaridad para cada polaridad.



ADVERTENCIA

¡LAS DESCARGAS ELÉCTRICAS PUEDEN MATAR! Para reducir el riesgo de descarga eléctrica, siempre desconectar la soldadora del tomacorriente (CA) antes de cambiar polaridad.

PRECAUCIÓN

No use llaves de trinquete, regulables ni de otro tipo para ajustar las tuercas en la barra de polaridad. Sólo ajustarlas a mano porque si se aplica demasiada tensión en una de las perillas podría romperse.

1. Sacar las perillas de fijación se los bornes + y - en el tablero "Gas/No Gas" ubicadas justo debajo de del motor de avance dentro de la soldadora.
 - A. Para soldadura sin gas, instalar qel anillo de la abrazadera para tierra en el borne "+" y el anillo de la antorcha en el borne "-".
 - B. Para soldadura con gas (MIG), instalar el anillo de la abrazadera para tierra en el borne "-" y el anillo de la antorcha en el borne "+".

Ver la configuración en la Figura 8.

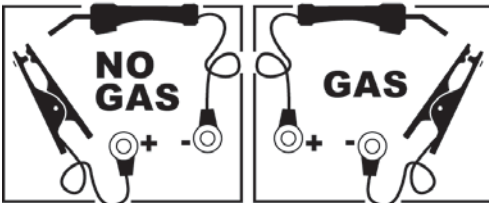


Figura 8. Cambio de polaridad

2. Conecte la pinza de tierra a la pieza a trabajar, asegurándose que esté libre de tierra, aceite, corrosión, sarro, oxidación y pintura en el punto de contacto.

Nota: Es mejor conectar la pinza de tierra directamente a la pieza a soldar y lo más cerca posible al lugar de la soldadura. Si no se puede conectar la pinza de tierra directamente a la pieza a trabajar, conéctela a una parte metálica que esté unida firmemente a la pieza, pero que no esté eléctricamente aislada de ella. Asegúrese de que este otro metal sea de igual o mayor espesor que la pieza a soldar.



ADVERTENCIA

¡Riesgo de daños a componentes eléctricos! Si la pinza de tierra se conecta a un automóvil u otro equipo con sistemas incorporados de computadora, controles electrónicos de estado sólido, equipos de audio de estado sólido, etc., no suelde hasta haber desconectado la batería que esté conectada a la masa del chasis. El no hacerlo puede ocasionar daños a los componentes electrónicos.

OPERACIÓN

La operación de esta soldadora consiste en seleccionar las graduaciones óptimas para los controles de voltaje (calor para soldar) y para velocidad de alimentación de alambre.

CONTROLES E INDICADORES



ADVERTENCIA

¡LAS DESCARGAS ELÉCTRICAS PUEDEN MATAR! El circuito de corriente para soldadura estará activado siempre que la soldadora esté encendida (con el interruptor en ON) y se podría formar un arco si el alambre soldador o cualquier parte del circuito para soldar hace contacto a tierra.

INTERRUPTOR - El interruptor controla el suministro de corriente a la soldadora y se ilumina cuando la soldadora está encendida. El circuito de corriente para soldadura estará activado siempre que la soldadora esté encendida (con el interruptor en ON). Siempre poner el interruptor en OFF (apagado) y desenchufar la soldadora del tomacorriente antes de darle cualquier mantenimiento.

SELECTORES DE VOLTAJE - La llave selectora y perilla de voltaje controlan el calor de la soldadura. La llave selectora de voltaje está marcada MIN/MAX, refiriéndose al voltaje de salida mínimo y máximo. La perilla selectora de voltaje está marcada A-C. La letra A representa menos calor y la C más calor. Vea la etiqueta debajo de la tapa de la soldadora (o en la Pág. 63 de este manual) para los voltajes recomendados para su soldadura. La llave en la posición "MAX" y la perilla en la posición "C" producen la salida nominal de 150 amperes.

CONTROL DE VELOCIDAD DEL ALAMBRE

SOLDADOR: - Usar este dial para regular la velocidad a la cual la soldadora alimenta el alambre a la pistola. Se debe afinar la velocidad de alimentación del de acuerdo a la velocidad en que se funde, lo que está en función al espesor de los metales, tipo de metal, selección del calor, tamaño del alambre y posición para soldar.

Nota: El alambre soldador se alimentará más rápido cuando no se forma arco y la velocidad disminuirá cuando se forme arco.

CALIBRACIÓN DE LA VELOCIDAD DEL ALAMBRE

Este es uno de los aspectos mas importantes de la soldadura MIG y debe realizarse antes de comenzar con cada trabajo de soldadura o cuando se cambia cualquiera de las siguientes variables: ajuste de calor, diámetro del alambre, o tipo de alambre.

1. Prepare y conecte a tierra un trozo sobrante del mismo tipo de material que se soldará. Debe ser igual o más grueso que la pieza que se soldará, y no debe tener aceite, pintura, óxido, etc.
2. Seleccione un ajuste de temperatura.
3. Sostenga la pistola con una mano, permitiendo que la punta se apoye en el borde de la pieza más alejado de usted, y en un ángulo similar al que se usará al soldar. (Vea **SOSTENIENDO LA PISTOLA** en página 49 si no está seguro del ángulo al que soldará).
4. Con su mano libre, ajuste la Velocidad de Alimentación del Alambre al máximo y continúe sosteniendo la perilla.



CUIDADO

¡LA EXPOSICIÓN A LOS RAYOS DEL ARCO DE SOLDADURA ES MUY PELIGROSA PARA LOS OJOS Y LA PIEL! La exposición prolongada al arco de soldadura puede causar ceguera y quemaduras. Nunca produzca un arco o comience a soldar hasta que esté adecuadamente protegido. Use guantes a prueba de fuego, una camisa gruesa de mangas largas, pantalones sin dobladillos, botas y una máscara para soldar.

5. Baje su máscara para soldar y apriete el gatillo de la pistola para producir un arco, luego comience a arrastrar la pistola hacia usted, girando simultáneamente la Perilla de Velocidad de Alimentación del Alambre en sentido contrario a las agujas del reloj.
6. **¡ESCUCHE!** Al disminuir la velocidad del alambre, el sonido producido por el arco cambiará de un chisporroteo a un zumbido agudo y luego comenzará a chisporrotear nuevamente al disminuir demasiado la velocidad. El ajuste correcto de la velocidad del alambre es donde escuche el zumbido agudo.

Puede utilizar el control de velocidad del alambre para aumentar o disminuir levemente el calor y penetración de un ajuste de temperatura determinado seleccionando una velocidad de alambre mayor o menor. Repita este procedimiento de calibración si cambia el ajuste de temperatura, el diámetro del alambre o si utiliza otro tipo de alambre.

APRENDA A SOLDAR

La soldadura MIG (Gas Inerte al Metal) es un proceso para unir piezas metálicas mediante el calor generado por un arco eléctrico que permite fusionar los metales. El arco eléctrico se crea entre un electrodo de alambre consumible (el alambre soldador) y la pieza de trabajo. Se usa un gas inerte para proteger el charco de soldadura fundida contra la contaminación y para amplificar la capacidad soldadora del arco eléctrico.

Aunque usted haya soldado antes o no, es importante que se familiarice con su nueva soldadora, sus controles y los resultados que se obtienen en cada regulación. Recomendamos fuertemente practicar con su nueva soldadora con metal de desperdicio usando las distintas regulaciones de calor, soldando láminas de distintos espesores y en posiciones distintas para cada tipo de alambre soldador que se va a usar. Así se dará cuenta cómo estas variables afectan el resultado final de soldadura.

Por su puesto que si no ha soldado antes, necesita desarrollar destreza y técnicas para soldar.

El soldador autodidacta aprende por prueba y error. La mejor manera de aprender uno mismo a soldar es dedicando tiempos breves y regulares para práctica. Todas las soldaduras de práctica deben hacerse en metal de desecho. No trate reparar equipo valioso hasta que esté convencido de que sus prácticas de soldadura tienen buena apariencia y carecen de imperfecciones por escoria o gas. Lo que no aprenda en las prácticas lo aprenderá por errores y en los trabajos que tenga que repetir.

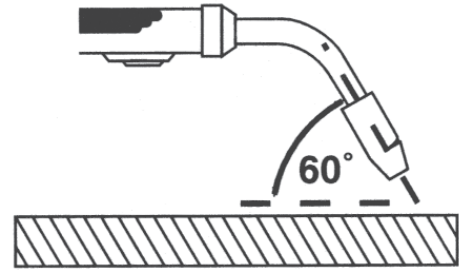
CÓMO SOSTENER LA PISTOLA

La mejor manera de sostener la pistola es de la manera en que usted se sienta más cómodo. Practique sosteniendo la pistola en distintas posiciones hasta que encuentre la que funcione mejor para usted. (Referirse a las "Posiciones para Soldar" en la Pág. 51)

Posición de la pistola sobre la pieza de trabajo

Hay dos ángulos para la boquilla con relación a la pieza de trabajo que se deben considerar al soldar.

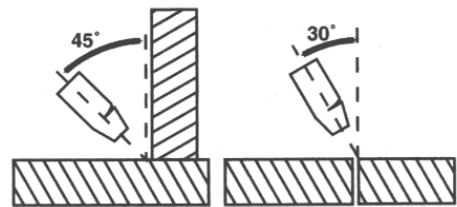
1. Ángulo A (Figura 9) puede variarse, pero en la mayoría de los casos el ángulo óptimo es 60 grados; o sea cuando el mango de la pistola esté paralela a la pieza de trabajo. Si el ángulo A aumenta, la penetración aumenta. Si el ángulo A disminuye, la penetración también disminuye.



Ángulo A

Figura 9. Posición de la pistola, Ángulo A

2. El ángulo B (Figura 10) puede variarse por dos razones: para ver mejor el arco en relación al charco de soldadura fundida y para dirigir la fuerza del arco.



Ángulo B

Figura 10. Posición de la pistola, Ángulo B

La fuerza del arco de soldar se proyecta en línea recta desde la punta de la boquilla. Si se cambia el ángulo B, también cambia la dirección de la fuerza del arco y el punto de concentración de la penetración.

En una junta de soldadura a tope, la única razón de variar el ángulo B de la posición perpendicular (punta vertical) sería para mejorar la visibilidad del charco de soldadura fundida. En este caso, el ángulo B puede variarse de cero a 45 grados considerándose óptimo el de 30 grados.

En una junta con soldadura de filete la boquilla generalmente se posiciona de tal manera que comparta el ángulo entre las piezas horizontal y vertical que se van a soldar. En la mayoría de casos se hace a 45 grados.

Distancia a la pieza de trabajo

El extremo de la pistola soldadora está diseñado con una punta de contacto empotrada en la boquilla y la boquilla está aislada eléctricamente del resto de la pistola. Esto permite que el operador apoye la boquilla en la pieza de trabajo y la arrastre al soldar. Así se puede aprender a mover establemente la pistola, concentrándose en la técnica de soldar. Si se mantiene separada la boquilla de la pieza de trabajo, la distancia debe ser constante a 6,4mm (1/4") o el arco comenzará a chisporrotear, lo cual indica un pérdida de eficiencia al soldar.

TÉCNICAS PARA SOLDAR



ADVERTENCIA

¡LA EXPOSICIÓN AL ARCO ELÉCTRICO ES MUY DAÑINA PARA LOS OJOS Y LA PIEL!

La exposición prolongada al arco de soldar puede causar ceguera o quemaduras. Nunca formar el arco ni comenzar a soldar sin protección adecuada. Usar guantes de soldar a prueba de llamas, camisa gruesa de manga larga, pantalones sin bastas o dobladillos, botines altos y careta de soldar.



ADVERTENCIA

¡LAS DESCARGAS ELÉCTRICAS

PUEDEN MATAR! Para evitar una descarga eléctrica no soldar mientras esté parado, arrodillado o apoyado contra la pieza de trabajo conectada a tierra.

DESPLAZAMIENTO DE LA PISTOLA

El desplazamiento de la pistola se hace a lo largo de la junta y se puede dividir en dos elementos: dirección y velocidad. Para formar un cordón de soldadura sólido se debe mover la pistola uniformemente a la velocidad adecuada a lo largo de la junta. Si se mueve demasiado rápido o lento o de man-

era errática, no se fusionará o creará un cordón con abultamientos y disparejo.

1. LA DIRECCIÓN DEL DESPLAZAMIENTO

es el sentido en que se mueve la pistola con relación al charco de soldadura fundida. Se puede EMPUJAR (ver la Figura 11) hacia el charco o JALAR alejándose del charco.

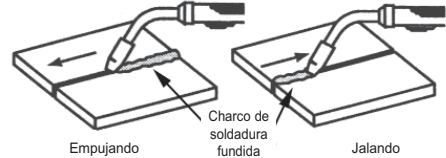


Figura 11. Dirección de Desplazamiento

Para la mayoría de los trabajos de soldadura se jala la pistola a lo largo de la junta para ver mejor el charco de soldadura fundida.

2. LA VELOCIDAD DE AVANCE es la rapidez con que se desplaza la pistola empujándola o jalándola por la junta que se suelda. Para una misma regulación de calor, mientras más rápido sea el desplazamiento, menor será la penetración y más angosto será el cordón de soldadura. Así mismo, mientras más lento sea el desplazamiento, mayor será la penetración y el cordón será más elevado y ancho.

TIPOS DE CORDONES DE SOLDADURA

En los siguientes párrafos se describen los cordones de soldadura con arco eléctrico que se usan más comúnmente.

Una vez que acomode la pistola con el alambre apuntando a la junta por soldar, bajar la careta de soldar para cubrirse la cara, apretar el gatillo y formar el arco. En uno o dos segundos notará que se forma una poza de soldadura fundida y se empieza a formar la base del cordón. En ese momento se tiene que empezar a desplazar la pistola. Si apenas está aprendiendo a soldar, arrastrar la pistola en línea recta a una velocidad uniforme por la junta. Tratar de lograr la penetración deseada y un cordón relativamente plano y de ancho uniforme.

Puede comenzar a probar con diferentes tipos de cordones de soldadura.

Hay dos tipos básicos de cordones de soldadura, el cordón de refuerzo y el cordón tejido.

1. CORDÓN DE REFUERZO (Figura 12) se hace desplazando la pistola en línea recta con el alambre y la boquilla centrados sobre la junta que se suelda. Este es el tipo más fácil de cordón.

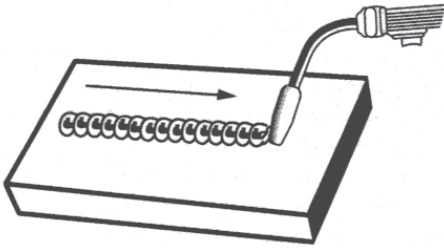


Figura 12. Cordón de refuerzo

2. CORDÓN TEJIDO (Figura 13) se usa cuando se quiere depositar metal sobre un espacio más amplio que el que sería posible cubrir con el cordón de refuerzo. Se hace deslizando la pistola de un costado a otro. Es mejor detenerse en el extremo de cada lado antes de regresar hacia el otro extremo.

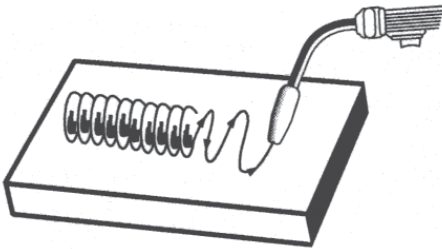


Figura 13. Cordón tejido

POSICIONES PARA SOLDAR

Hay cuatro posiciones básicas para soldar: plana, horizontal, vertical y suspendida.

1. POSICIÓN PLANA (Figura 14) es la más fácil y la que se usa más comúnmente. Es mejor soldar en esta posición. siempre que sea posible, ya que es más fácil obtener buenos resultados con facilidad.

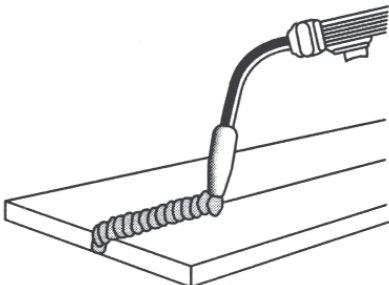


Figura 14. Posición plana

2. POSICIÓN HORIZONTAL (Figura 15) es la siguiente en grado de dificultad. Se hace igual que la soldadura plana excepto que el ángulo B (ver POSICIÓN DE LA PISTOLA SOBRE LA PIEZA DE TRABAJO en la página 49) es tal que el alambre, y por lo tanto la fuerza del arco, se dirige más hacia el metal encima de la junta. Esto ayuda a que el charco de soldadura no escurra hacia abajo y se desplace con suficiente lentitud para lograr buena penetración. Un buen punto de partida para el ángulo B puede ser de unos 30 grados ABAJO de la perpendicular con la pieza de trabajo.

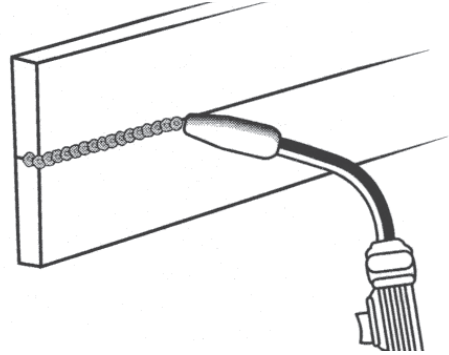


Figura 15. Posición Horizontal

3. POSICIÓN VERTICAL (Figura 16) es la siguiente posición más difícil. Jalando la pistola de arriba hacia abajo puede ser más fácil para mucha gente, pero en algunos casos puede ser difícil evitar que escurra la soldadura fundida del charco hacia abajo. Al empujar la pistola hacia arriba se puede controlar mejor el charco y se puede avanzar a menor velocidad para lograr mayor penetración. Cuando se suelda una junta vertical, el ángulo B (ver POSICIÓN DE LA PISTOLA SOBRE LA PIEZA DE TRABAJO en la página 49) se mantiene usualmente a cero grados, pero el ángulo A variará de 45 a 60 grados para tener mejor control del charco de soldadura fundida.

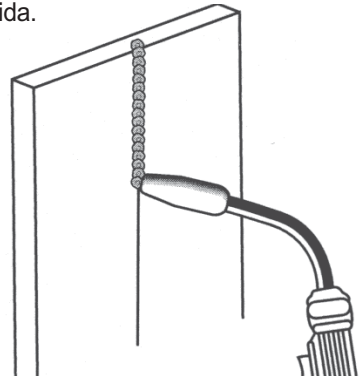


Figura 16. Posición Vertical



ADVERTENCIA

¡La escoria puede producir incendios y lesiones serias por quemaduras!
Asegurarse de usar ropa protectora y protección ocular cuando se suelde en una superficie elevada suspendida (horizontalmente).

4. La POSICIÓN ELEVADA SUSPENDIDA (Fig. 17) es la posición más difícil porque la gravedad hace que el charco de soldadura fundida gotee de la pieza de trabajo. El ángulo "A" (ver Como Sujetar la Pistola en la página 49) debe mantenerse a 60 grados igual que en la posición horizontal. Manteniendo esta ángulo se reducirán las posibilidades de que la soldadura fundida se caiga. El ángulo "B" debe mantenerse a cero grados para que el alambre soldador apunte directamente a la junta de la soldadura. Si se produce goteo excesivo de la soldadura fundida, reducir la temperatura. También se debe usar la soldadura tipo cordón tejido porque tiende a ser mejor que la soldadura recta tipo refuerzo.

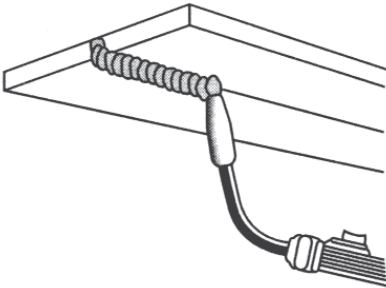


Figura 17. Posición elevada SUSPENDIDA

SOLDADURA DE PASADAS MÚLTIPLES

Junta de soldadura a tope. Cuando se suelden a tope materiales gruesos se debe preparar el borde de los materiales biselando el borde de una o ambas piezas de metal que se van a soldar con una esmeriladora. Así se crea una V entre las dos piezas de metal, que tendrá que llenarse de soldadura. En la mayoría de casos se necesitará más de una pasada o cordón para llenar la V. Al poner más de un cordón en la misma junta se forma una soldadura de pasadas múltiples. Las ilustraciones de la Figura 18 muestran la secuencia para for-

mar cordones de soldadura de varias pasadas en una junta a tope biselada.

NOTA: AL USAR ALAMBRE FUNDENTE AUTOPROTEGIDO, es muy importante cepillar completamente la escoria de cada cordón terminado porque si no el siguiente será de mala calidad.

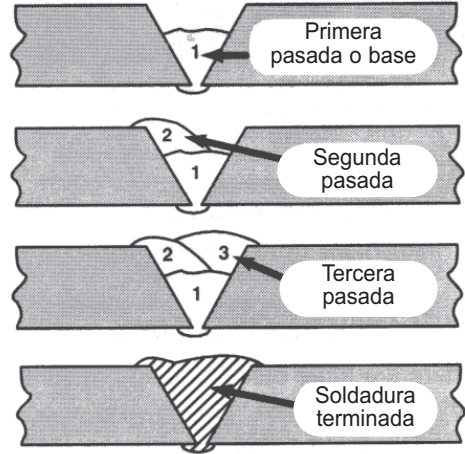


Figura 18. Junta a tope en V de tres pasadas

Juntas con filete de soldadura: La mayoría de las soldaduras de filete en metales de espesor moderado a grueso requieren múltiples pasadas para lograr una unión fuerte. La Figura 19 muestra la secuencia de las pasadas en una junta en T y una junta traslapada con filete.

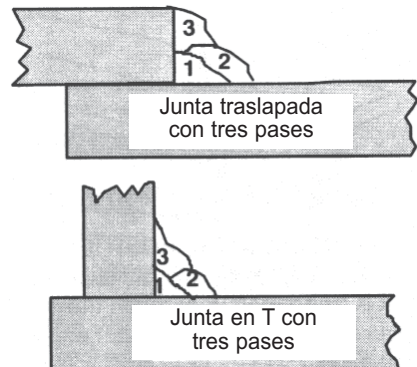


Figura 19. Junta a tope traslapada y en T con tres pasadas

MÉTODOS ESPECIALES PARA SOLDAR

SOLDADURA DE PUNTOS

El propósito es unir piezas de metal con puntos en vez de cordones de soldadura. Hay tres métodos de soldadura de puntos: perforación térmica (Burn-Through), perforación mecánica y relleno (Punched and Fill) y traslape (Lap) (ver la Figura 20). Cada método tiene ventajas y desventajas que dependen de la aplicación específica y la preferencia personal.

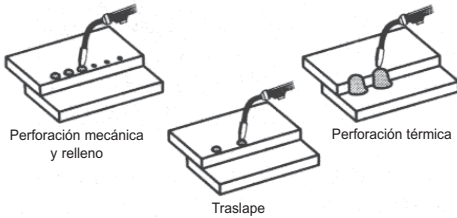


Figura 20. Métodos de soldadura de puntos

1. EL MÉTODO DE PERFORACIÓN TÉRMICA suelda dos piezas traslapadas haciendo un agujero en la pieza superior y penetrando en la pieza inferior.

Con este método los alambres de mayor diámetro tienden a trabajar mejor que los de diámetro pequeño porque tienen mayor capacidad de carga de corriente permitiendo que el arco queme atravesando muy rápidamente y requieren un mínimo material de soldadura. Los alambres soldadores que funcionan mejor para este tipo soldaduras son los macizos con diámetro de 0,8mm (0,030") ó de núcleo fundente autoprotegido con diámetro de 0,9mm (0,035").

No se debe usar alambre macizo de 6mm (0,024") de diámetro ni de núcleo fundente autoprotegido con diámetro de 0,80mm (0,030") en el método de perforación térmica, a menos que el metal sea MUY delgado o acepte una acumulación excesiva de material de soldadura con penetración mínima.

Siempre seleccionar la regulación ALTA de calor antes de soldar con este método de perforación térmica y afinar la velocidad del alambre antes de soldar por puntos.

2. EL MÉTODO DE RELLENADO DE AGUJERO produce una soldadura de mejor apariencia que el método de los tres puntos. En este método, el arco se dirige a través de un agujero perforado en la pieza de metal superior para que penetre hasta la pieza inferior. Se rellena el agujero con soldadura dejando un punto de soldadura parejo y al nivel de la superficie de la pieza superior.

Seleccionar el diámetro del alambre, la regulación de calor y afinar la velocidad del alambre como si se fuera a soldar material del mismo espesor con un cordón continuo.

3. En el MÉTODO DE SOLDADURA DE PUNTOS EN JUNTA TRASLAPADA se dirige el arco para que penetre las piezas superior e inferior a la misma vez a cada lado del traslape.

Seleccionar el diámetro del alambre, la regulación de calor y afinar la velocidad como si se fuera a soldar material del mismo espesor con un cordón continuo.

INSTRUCCIONES PARA SOLDADURA DE PUNTOS

1. Seleccionar el diámetro del alambre y la regulación de calor recomendada anteriormente para el método de soldadura por puntos que se va a usar.
2. Afinar la velocidad el alambre como si se fuese a hacer un cordón continuo de soldadura.
3. Sostener la boquilla completamente perpendicular a la pieza de trabajo, a una distancia de 6,4mm (1/4").
4. Apretar el gatillo y soltarlo cuando se logre la penetración deseada.
5. Hacer puntos de soldadura de práctica en metal de desecho, variando el tiempo que aprieta el gatillo, hasta lograr el punto de soldadura deseado.
6. Hacer los puntos de soldadura en las posiciones deseadas en las piezas de trabajo.

MANTENIMIENTO

MANTENIMIENTO GENERAL

Esta soldadora está diseñada para ofrecer muchos años de servicio sin problemas siempre y cuando se sigan unos pasos sencillos de mantenimiento.

1. Mantener cerrada la tapa del compartimiento del alambre en todo momento a menos que tenga que cambiar el alambre o regular la tensión del alambre.
2. Conservar limpios todos los materiales consumibles (puntas de contacto y boquillas) y cambiarlas cuando sea necesario. Si desea información detallada, referirse a la sección de MANTENIMIENTO Y LIMPIEZA más adelante en esta sección.
3. Reemplazar el cable de suministro, el cable de conexión y la pinza de conexión a tierra o la pistola cuando se noten daños o desgaste.
4. Limpie periódicamente la tierra, suciedad, grasa, etc. de su soldadora con un trapo húmedo. Cada seis meses o cuando sea necesario, quitar las cubiertas laterales de la soldadora y sopletear con aire a presión la suciedad acumulada dentro de la soldadora.



ADVERTENCIA

¡LAS DESCARGAS ELÉCTRICAS PUEDEN MATAR! Para reducir el riesgo de descarga eléctrica, siempre desconectar la soldadora del tomacorriente (CA) antes de quitar las cubiertas laterales.

MANTENIMIENTO DE INSUMOS

EL MANTENIMIENTO DE LOS ARTÍCULOS DE CONSUMO ES MUY IMPORTANTE PARA EVITAR EL REEMPLAZO PREMATURO DE LA PISTOLA SOLDADORA.

El **PROPÓSITO DEL FORRO DE LA PISTOLA** es proveer una ruta irrestricta al alambre soldador para que pase por la pistola. Con el tiempo se acumulará polvo, suciedad y otros materiales en el forro, haciendo necesario cambiarlo cuando estas acumulaciones comiencen a restringir el flujo del alambre por la pistola.

MANTENIMIENTO DE LA PUNTA DE CONTACTO

El propósito de la punta de contacto es transferir la corriente de la soldadura al alambre soldador a la vez que permitir que el alambre pase suavemente.

Siempre usar una punta de contacto estam-pada con el mismo diámetro que el alambre que se usará.

Nota: Debido a las variaciones propias del alambre soldador de núcleo fundente autoprotegido, podría obstruirse y sería necesario usar una punta de un número más grande que el alambre soldador.

1. Si el alambre se quema dentro de la punta, sacarla de la pistola y limpiar el orificio que la recorre con un limpiador para punta de antorcha de oxiacetileno o broca para punta.
2. Con el tiempo, el orificio de la punta de contacto se gastará por el paso del alambre soldador. Cuanto más gastado esté el orificio de la punta, menos eficiente será la transferencia de corriente al alambre soldador y eventualmente el arco eléctrico se romperá y su encendido se dificultará.

MANTENIMIENTO DE LA BOQUILLA

La boquilla dirige el gas protector al charco de soldadura fundida, determina el tamaño de la superficie de la protección y evita que la punta de contacto que se calienta eléctricamente haga contacto con la pieza de trabajo.

ADVERTENCIA

¡MANTENGA LIMPIA LA PUNTA! Durante el proceso de soldadura, salpicaduras y escoria se acumulará dentro de la punta y debe ser limpiada periódicamente. Limpie la punta removiendo las acumulaciones con una herramienta limpiadora o una superficie fina de metal similar a la punta de un destornillador. El no limpiar y/o reemplazar periódicamente la punta CAUSARÁ DAÑOS A LA PARTE FRONTAL DE LA PISTOLA.

Para mejores resultados, recubrir el interior de la boquilla nueva o recién limpiada con un spray o gel antipegado.

1. Deje de soldar cada 5 a 10 minutos y limpie la escoria o las salpicaduras que se acumulen en la boquilla.
2. Al soldar mirando hacia arriba, si cualquier residuo de soldadura se desprende y cae dentro del pico, **DEJE DE SOLDAR INMEDIATAMENTE** y limpie el pico.
3. Si no se puede limpiar completamente la escoria de la boquilla, **¡CAMBIAR LA BOQUILLA!**

Si no se mantiene la boquilla adecuadamente limpia, se pueden causar los siguientes problemas:

PRUEBA DE CORTOCIRCUITO EN LA BOQUILLA

Cuando se forma un arco entre la boquilla y la pieza de trabajo, hay un CORTOCIRCUITO en la boquilla, pero puede ser difícil de detectar a través de la careta de soldar. El siguiente método es útil para saber si hay cortocircuito en la boquilla. Con la soldadora desconectada del suministro eléctrico, con las puntas de sondeo de un ohmiómetro o probador de continuidad tocar la punta de contacto de la pistola y la parte exterior de la boquilla. Si hay continuidad, la boquilla TIENE CORTOCIRCUITO. Limpiar o reemplazar la boquilla.

La boquilla se **RESTRINGE** cuando se acumula suficiente escoria que afecta la dirección, concentración y/o velocidad del flujo de gas. Este problema pueda producir soldaduras porosas, quebradizas y de poca penetración.

PRUEBA DE CORTOCIRCUITO EN LA BOQUILLA Cuando se forma un arco entre la boquilla y la pieza de trabajo, hay un CORTOCIRCUITO en la boquilla, pero puede ser difícil de detectar a través de la careta de soldar. El siguiente método es útil para saber si hay cortocircuito en la boquilla.

Con la soldadora desconectada del suministro eléctrico, con las puntas de sondeo de un ohmiómetro o probador de continuidad tocar la punta de contacto de la pistola y la parte exterior de la boquilla. Si hay continuidad, la boquilla TIENE CORTOCIRCUITO. Limpiar o reemplazar la boquilla.

REEMPLAZO DEL FORRO DE LA PISTOLA

Cuando se instale un forro nuevo en la pistola, se debe tener cuidado de no doblar ni dañar el forro. Ver el mecanismo de avance en la figura 21 y el ensamblaje de la pistola en la figura 22.

1. Apagar la unidad poniendo el interruptor en "OFF" y desenchufarla del tomacorriente.
2. Abrir el panel lateral de la soldadora.
3. Disminuya la tensión de alimentación con la perilla y levante el Brazo Tensor del rodillo.
4. Girar el carrete de alambre contra el sentido del reloj (agarrar el alambre soldador mientras se gira el carrete, de lo contrario se desenrollará cuando el carrete salga del forro

- de la pistola) y sacar el alambre de la pistola.
5. Colocar el cable y el mango de la pistola.
6. Desatornille los tornillos grandes de cabeza plana que sostienen el mango al gabinete de la soldadora y quite la manija.
7. Quite los tornillos autorroscantes que conectan el gabinete de la soldadora al bastidor y quite el gabinete hacia arriba.
8. Quite la Abrazadera de Sujeción del Cable siguiendo los siguientes pasos:
 - a) Quite los dos tornillos autorroscantes en el extremo del Gancho Sujetador del Cable más cercano al Rodillo Alimentador.
 - b) Quite los dos pernos del extremo del Gancho Sujetador del Cable más cercano al Cable de la Pistola. **Nota:** Hay dos tuercas sosteniendo los pernos en el lado opuesto del panel divisorio.
9. Separar las dos mitades de la pistola sacando los cinco tornillos con cabeza en cruz.
10. Quite la manguera de gas del conector rápido de la Válvula de Gas. Presione el borde del conector rápido hacia atrás y tire para quitar la manguera de gas.
11. Quite el Conector Rápido de la Válvula de Gas con una llave de 9 milímetros.
12. Sostenga firmemente el adaptador de bronce al final del recubrimiento de la pistola con una llave y rote la Válvula de Gas en sentido contrario a las agujas del reloj para desenroscar el adaptador. **Nota:** Rote la Válvula de Gas – No rote el adaptador de bronce o el recubrimiento de la pistola se retorcerá dentro del cable de la pistola y puede dañarse.
13. El Terminal del Cable Vivo se sostiene en la Válvula de Gas mediante el adaptador de bronce al final del recubrimiento de la pistola. Al quitar el adaptador de bronce, deslice el Terminal del Cable Vivo fuera del adaptador de bronce.
14. Sostenga firmemente el cable de la pistola y tire para quitar completamente el recubrimiento.
15. Instale el nuevo recubrimiento en el cable de la pistola, comenzando por el extremo en el que se colocará la pistola, y haciéndolo pasar completamente hasta el rodillo alimentador del alambre. **Nota:** Para disminuir la resistencia durante el proceso de instalación, puede usar un poco de jabón líquido en el extremo del recubrimiento de la pistola.

16. Deslice el ojalillo del Terminal de Cable Vivo en el extremo roscado del adaptador de bronce del recubrimiento.
17. Sostenga firmemente el adaptador de bronce al final del recubrimiento de la pistola con una llave y rote la Válvula de Gas en el sentido de las agujas del reloj para enroscarla al adaptador.

Nota: Rote la Válvula de Gas – No rote el adaptador de bronce o el recubrimiento de la pistola se retorcerá dentro del cable de la pistola y puede dañarse.

18. Vuelva a colocar todos los componentes de la cubierta de la pistola y alinéelos tal como estaban originalmente.
19. Una vez que las dos mitades de mango de la pistola estén en su lugar, ajuste los cinco tornillos con cabeza en estrella.
20. Recorte el nuevo recubrimiento de la pistola con un alicate a aproximadamente 3/16 de pulgada pasando el extremo del la Abrazadera Sujetadora del Cable. (Para asegurar que el extremo del recubrimiento de la pistola sea visible luego de armar la Abrazadera Sujetadora del Cable. Esto facilitará la instalación del alambre).
21. Vuelva a colocar la Abrazadera de Sujeción del Cable siguiendo los siguientes pasos:
 - a) Coloque los dos tornillos autorroscantes en el extremo del Gancho Sujetador del Cable más cercano al Rodillo Alimentador – ¡No los ajuste completamente todavía!
 - b) Coloque los dos pernos del extremo del Gancho Sujetador del Cable más cercano al Cable de la Pistola. Ajústelos con las tuercas del otro lado del panel divisorio.
 - c) Ajuste completamente los 2 tornillos autorroscantes.
22. Vuelva a colocar el gabinete de la soldadora (y el panel lateral) y ajuste todos los tornillos autorroscantes.
23. Vuelva a colocar la manija en la parte superior del gabinete – ajustando los dos tornillos de cabeza plana.
24. Instale nuevamente el alambre de soldadura de acuerdo con las indicaciones en la sección INSTALACIÓN DEL ALAMBRE DE SOLDADURA.
25. Cierre el panel lateral.
26. Conecte la soldadora a la fuente de alimentación y mueva la LLAVE DE ENCENDIDO a la posición ON.

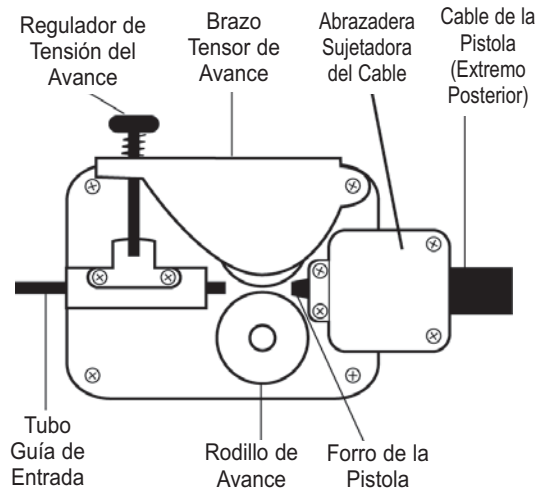


Figura 21. Mecanismo de avance

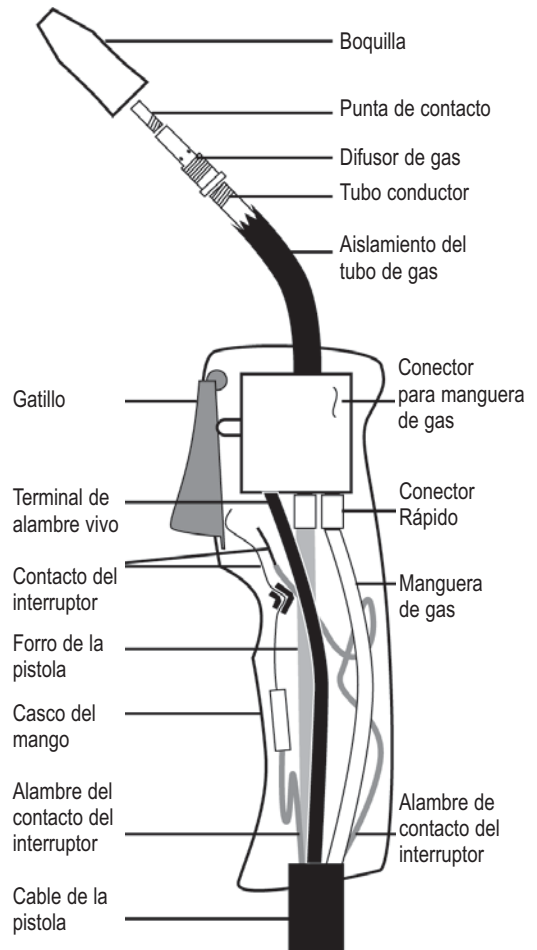


Figura 22. Ensamblaje de la pistola

MANTENIMIENTO PREVENTIVO

Aparte de limpiar la soldadora por dentro y por fuera, limpiar la boquilla y ajustar ocasionalmente los tornillos, no hay otros procedimientos periódicos de mantenimiento recomendados para la soldadora.

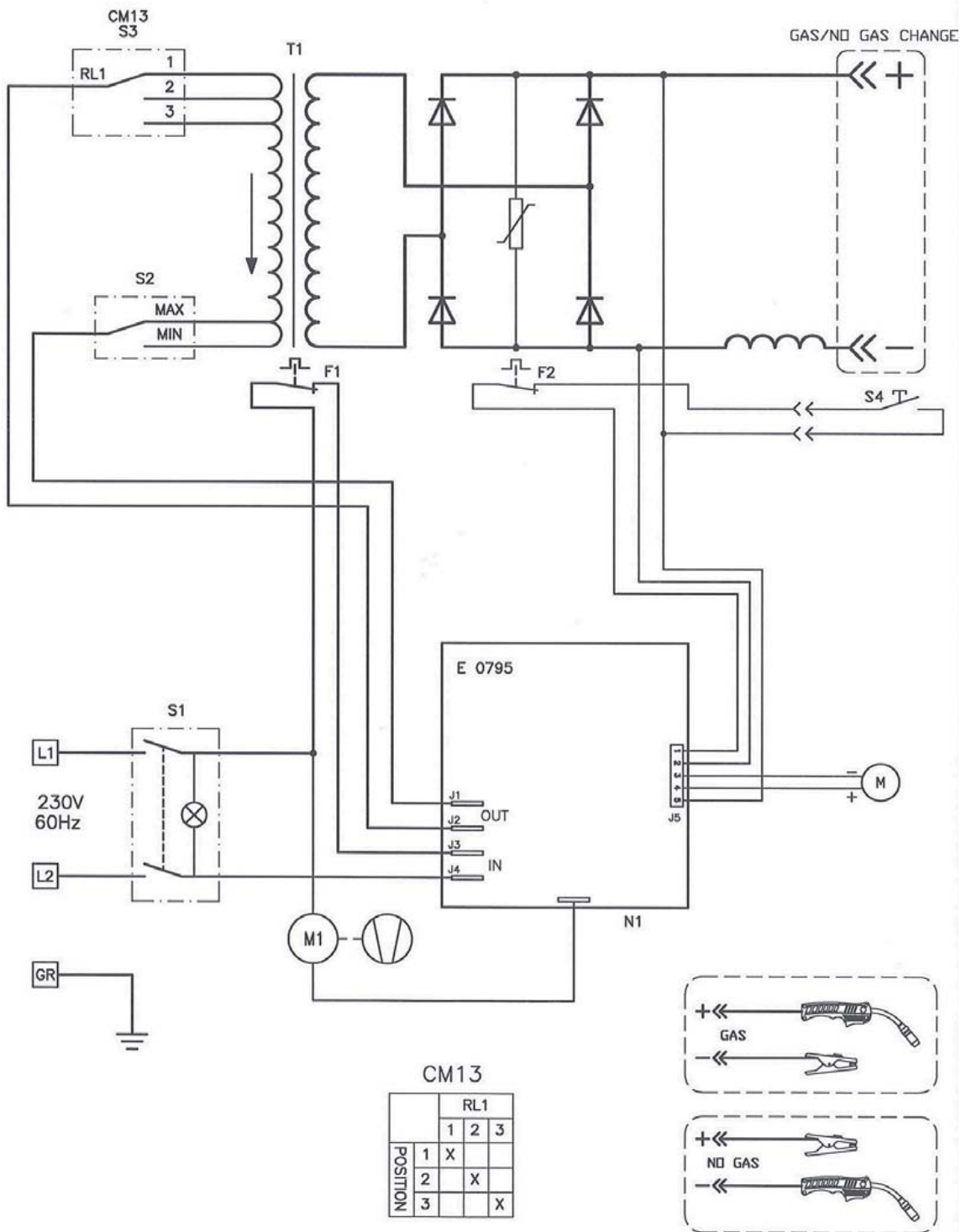
SOLUCIÓN DE PROBLEMAS

La siguiente tabla de SOLUCIÓN DE PROBLEMAS se suministra como una guía para ayudarlo a resolver algunos de los problemas más comunes que puedan aparecer. Esta tabla no provee todas las posibles soluciones, solamente las posibilidades consideradas como fallas más comunes. La tabla consiste en PROBLEMAS o síntomas, las POSIBLES CAUSAS de esos síntomas, y POSIBLES SOLUCIONES de los mismos.

DIAGNÓSTICO DE PROBLEMAS

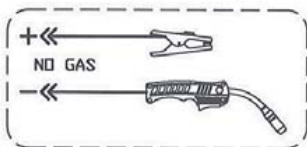
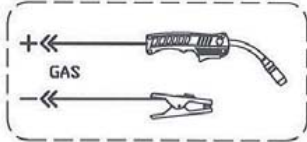
PROBLEMA	CAUSA POSIBLE	SOLUCIÓN POSIBLE
Soldadura sucia, porosa y quebradiza.	<ol style="list-style-type: none">1. Boquilla obstruida.2. No hay gas protector.3. Tipo de gas equivocado.4. Alambre soldador sucio u oxidado.	<ol style="list-style-type: none">1. Limpiar o reemplazar la boquilla.2. Cilindro vacío, flujo restringido o regulador graduado demasiado bajo.3. Ver la sección SELECCIÓN DEL GAS PROTECTOR.4. Cambiar el carrete de alambre soldador.
Se alimenta alambre soldador pero no se forma arco.	<ol style="list-style-type: none">1. La conexión a tierra es mala o está suelta.2. Pistola mal conectada o defectuosa.	<ol style="list-style-type: none">1. Revisar las conexiones a tierra y ajustarlas si es necesario.2. Revisar la conexión de la pistola o cambiarla.
Se forma arco pero no alimenta alambre soldador.	<ol style="list-style-type: none">1. Circuito impreso de velocidad del alambre está defectuoso.2. No hay tensión en el rodillo de avance.3. Motor de avance defectuoso (muy rara vez).	<ol style="list-style-type: none">1. Reemplazar el circuito impreso de velocidad del alambre.2. Regular la tensión del rodillo de avance.3. Reemplazar el motor de avance.
Nada funciona.	<ol style="list-style-type: none">1. Gatillo de la pistola defectuoso.2. Se excedió el ciclo normal de funcionamiento, protector térmico activado.3. Transformador defectuoso (rara vez).	<ol style="list-style-type: none">1. Reemplazar gatillo.2. Dejar que se enfríe por lo menos 10 minutos (observar y mantener un ciclo de trabajo adecuado).3. Reemplazar el transformador.
Poca potencia de salida o la soldadura no penetra.	<ol style="list-style-type: none">1. Conexión suelta dentro de la máquina.2. Cable de extensión demasiado largo o inadecuado.3. Tipo o tamaño equivocado de alambre de soldar.4. Mala conexión a tierra.5. Punta de contacto de tamaño equivocado.6. Pistola defectuosa o mal conectada.7. Polaridad de la soldadura equivocada.8. Alambre soldador sucio u oxidado.	<ol style="list-style-type: none">1. Limpiar el interior de la soldadora soplando aire comprimido y ajustar todas las conexiones.2. Ver la sección CABLES DE EXTENSIÓN en este manual.3. Solo usar alambre soldador E71T-GS de núcleo fundente autoprotectado de 0,8mm (0,030").4. Reacomodar la pinza y revisar la conexión del cable a la pinza.5. Sólo usar puntas de contacto de 0,8mm (0,030").6. Ajustar la conexión de la pistola o reemplazarla.7. Cambiar a la polaridad correcta.8. Cambiar el carrete de alambre soldador.
El alambre se amontona en el rodillo de avance.	<ol style="list-style-type: none">1. Demasiada tensión en el rodillo de avance.2. Forro de la pistola gastado o dañado.3. Punta de contacto obstruida o dañada.4. Forro estirado o demasiado largo.	<ol style="list-style-type: none">1. Regular la tensión como se indica en la sección COLOCACIÓN DEL ALAMBRE SOLDADOR.2. Reemplazar la pistola.3. Reemplazar la punta de contacto.4. Recortar el forro al largo correcto.
El alambre se funde hasta la punta de contacto.	<ol style="list-style-type: none">1. Forro de la pistola gastado o dañado.2. Forro estirado o demasiado largo.3. Punta de contacto de tamaño equivocado.4. La punta de contacto está obstruida o dañada.	<ol style="list-style-type: none">1. Reemplazar la pistola.2. Recortar el forro al largo correcto.3. Usar una punta de contacto del tamaño correcto.4. Reemplazar la punta de contacto.
La pinza y/o el cable de conexión a tierra se calientan.	Mala conexión del cable a la pinza.	Ajustar la conexión o reemplazar el cable.
Se forma un arco entre la boquilla y la pieza de trabajo.	Escoria acumulada en la boquilla o cortocircuito en la boquilla.	Limpiar o reemplazar la boquilla según sea necesario.

DIAGRAMA DE CABLEADO DE LA SOLDADORA CON ALIMENTADOR DE ALAMBRE MODELO 196.205040



CM13

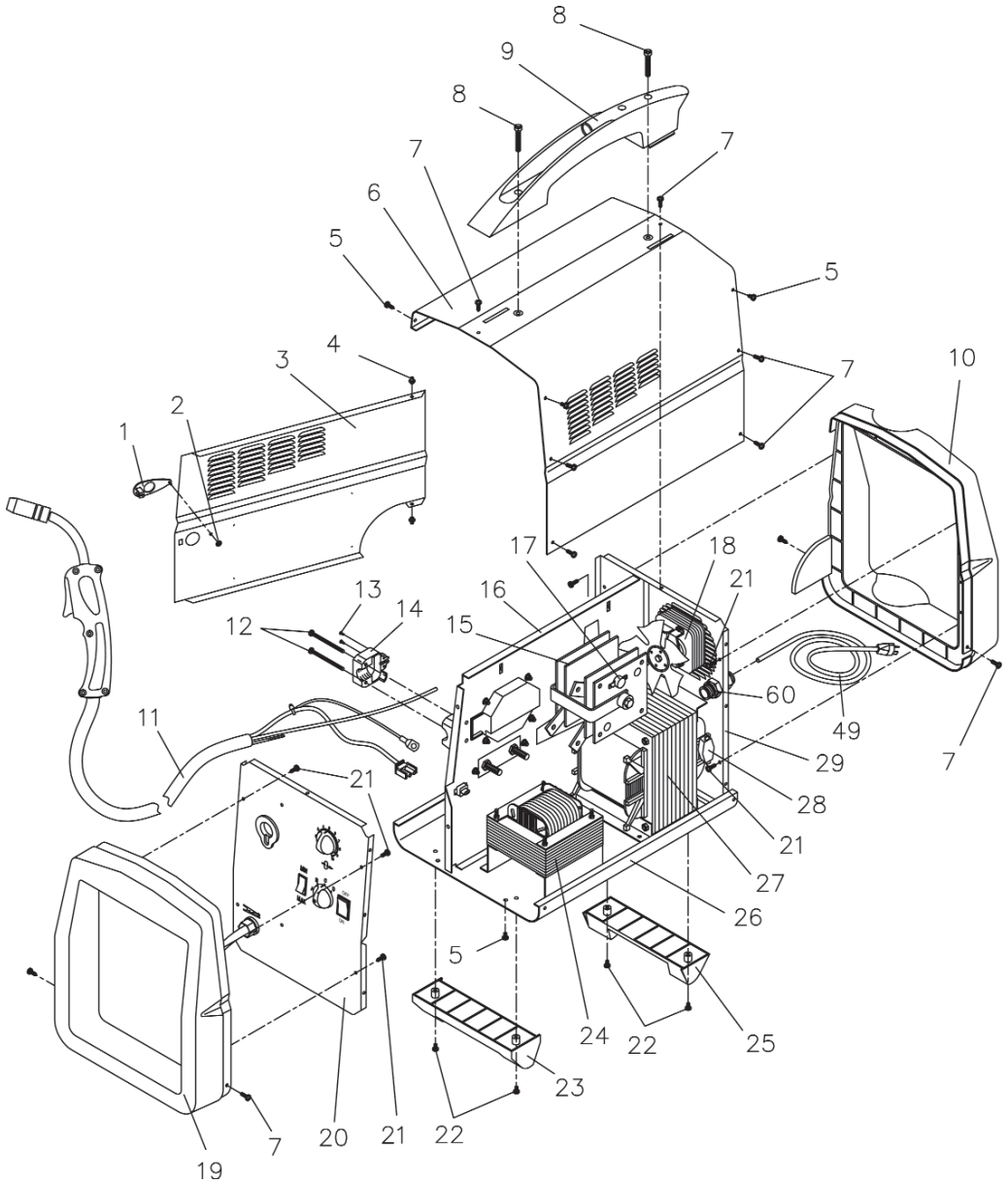
		RL1		
		1	2	3
POSITION	1	X		
	2		X	
	3			X



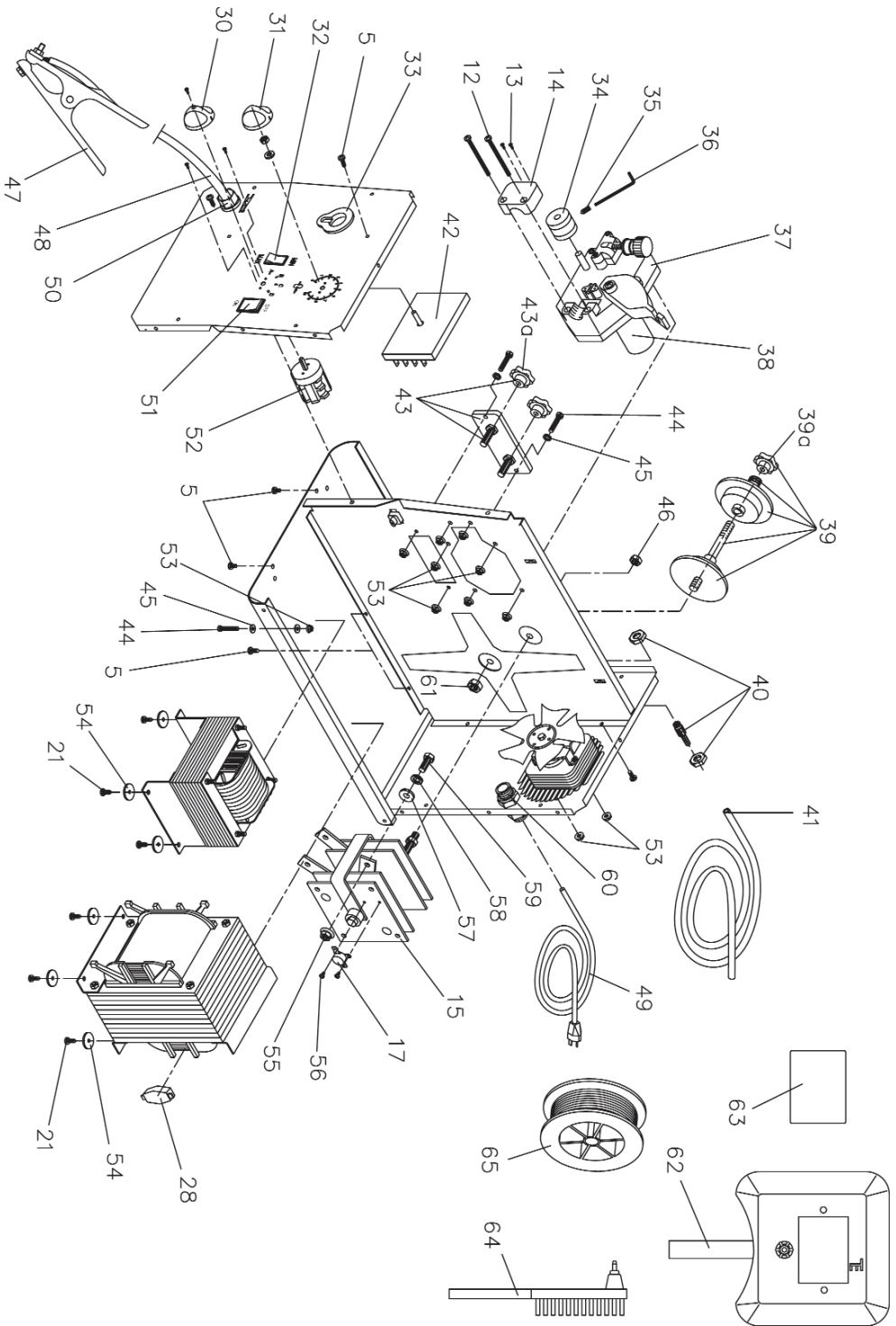
SOLDADORA CON ALIMENTADOR DE ALAMBRE MODELO 196.205040

No.	Código	Descripción	Cant.
01	WE20504-21690177	Gancho del Panel Lateral	1
02	WE20504-21055015	Arandela de Traba para el Gancho	1
03	WE20504-05000076	Puerta de Acceso	1
04	WE20504-33810095	Clavija de Acero para Puerta de Acceso	2
05	WE20504-21020038	Tornillo Autorroscante para Gabinete	14
06	WE20504-05000066	Panel Superior Derecho	1
07	WE20504-21020039	Tornillo Autorroscante para Gabinete	10
08	WE20504-21005040	Tornillo de la Manija	2
09	WE20504-21600021	Manija Plástica	1
10	WE20504-21690176	Bastidor Plástico Posterior	1
11	WE20504-23000081	Pistola de 0/8 10mm2	1
12	WE20504-21005017	Tornillo TCI para Tapa de Presión	2
13	WE20504-21020003	Tornillo Autorroscante para Tapa de Presión	2
14	WE20504-21690244	Tapa de Presión de la Pistola	1
15	WE20504-22400038	Rectificador PMS 8/4/1 F	1
16	WE20504-33720063	Panel Divisorio	1
17	WE20504-22210014	Termostato de 100° 10 A	1
18	WE20504-22800039	Ventilador Completo	1
19	WE20504-21690175	Bastidor Plástico Frontal	1
20	WE20504-05000075	Panel Frontal	1
21	WE20504-21020018	Tornillo Autorroscante para Bastidor	16
22	WE20504-21020037	Tornillo Autorroscante para Pata	4
23	WE20504-21610014	Pata Plástica Frontal	1
24	WE20504-44135018	Filtro 40x40 AL	1
25	WE20504-21610015	Pata Plástica Posterior	1
26	WE20504-33700138	Panel Inferior	1
27	WE20504-44120076	Transformador 220V 40x85 AL	1
28	WE20504-22210016	Termostato de 127° 16A	1
29	WE20504-05000077	Panel Posterior	1
30	WE20504-21690312	Perilla de Ajuste de Voltaje	1
31	WE20504-21690310	Perilla de Velocidad del Alambre	1
32	WE20504-22200036	Llave Selectora de Voltaje de 16A 250V	1
33	WE20504-21690001	Arandela de la Pistola en el Panel Frontal	1
34	WE20504-33805001	Rollo de Alimentación de Alambre ~ 9X30 .023-.030 Knurled	1
35	WE20504-21010010	ST-CE Tornillo para Rollo de Alimentación	1
36	WE20504-21590002	Llave Hexagonal	1
37	WE20504-44400016	Alimentador de Alambre de Plástico Negro	1
38	WE20504-04600145	Motor de Alimentación de Alambre	1
39	WE20504-04600002	Soporte Completo del Carrete	1
39a	WE20504-21800036	Manivela del Soporte de Carrete	1
40	WE20504-22910070	Lengüeta de la Manguera de Gas	1
41	WE20504-30900030	Manguera de Gas Negra	1
42	WE20504-22710037	Circuito Impreso E0795 220/240V + Fusible "CSA"	1
43	WE20504-04600114	Placa de Circuito de Cambio Gas/No Gas	1
43a	WE20504-21800051	Manivela	2
44	WE20504-21000005	Tornillo TE para la Placa de Cambio y el Contactor	3
45	WE20504-21035002	Arandela Dentada para la Placa de Cambio y el Contactor	5
46	WE20504-21025011	Tuerca Hexagonal del Rectificador	1
47	WE20504-22110025	Pinza de Tierra de 300A	1
48	WE20504-43210148	Cable de Tierra de 10mm	1
49	WE20504-20220120	Cable de Alimentación con Enchufe 3xAWG12 M2.5 220V 50A	1
50	WE20504-21605010	Pinza para Cable	1
51	WE20504-22200035	Llave de Encendido Ámbar	1
52	WE20504-22205116	Llave de 17A	1
53	WE20504-21025029	Tuerca Hexagonal del Alimentador de Alambre	12
54	WE20504-21030010	Arandela Plana para Filtro y Transformador	8
55	WE20504-21025028	Tuerca Hexagonal del Rectificador	4
56	WE20504-21020006	Tornillo Autorroscante para Rectificador	2
57	WE20504-21030011	Arandela Plana del Rectificador	4
58	WE20504-21035004	Arandela Dentada del Rectificador	4
59	WE20504-21000020	Tornillo TE para el Rectificador	4
60	WE20504-21605036	Pinza para Cable	1
61	WE20504-21025015	Tierca del Soporte de Carrete	1
62	WE20504-21905002	Máscara Plástica para Soldadura	1
63	WE20504-21905007	Vidrio Oscuro para Máscara de Soldadura	1
64	WE20504-21905011	Martillo-Cepillo	1
65	WE20504-21910050	Carrete de Alambre con Núcleo de Fundente	1

LISTA DE PARTES PARA SOLDADORA CON ALIMENTADOR DE ALAMBRE MODELO 196.205040



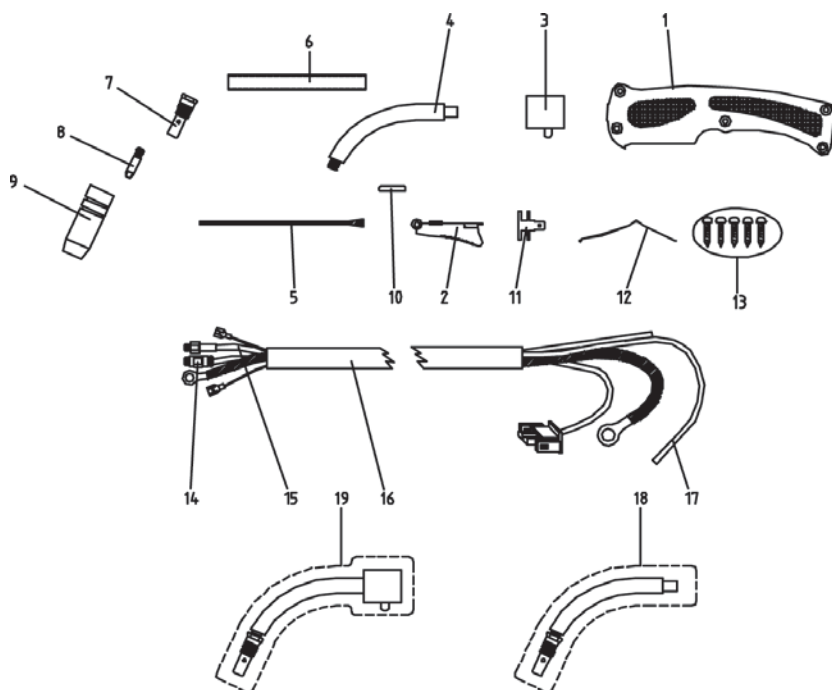
LISTA DE PARTES PARA SOLDADORA CON ALIMENTADOR DE ALAMBRE MODELO 196.205040



SOLDADORA CON ALIMENTADOR DE ALAMBRE MODELO 196.205040

No.	Código	Descripción	Cant.
01	WE20504-21690300	Mango Negro de la Pistola	1
02	WE20504-21690301	Gatillo Rojo para la Pistola	1
03	WE20504-23005009	Válvula de Gas	1
04	WE20504-23005145	Cuello para Pistola TW1	1
05	WE20504-23005091	Cubierta de Cable Estriada x T Cuello 1.4	1
06	WE20504-23005090	Aislante Tubular para Conductor	1
07	WE20504-23005146	Difusor de Gas para Pistola TW1 ME-99	1
08a	WE20504-23005018	Punta de Contacto de 0,024 (0,6mm)	1
08b	WE20504-23005019	Punta de Contacto de 0,030 (0,8mm)	1
08c	WE20504-23005020	Punta de Contacto de 0,040 (1,0mm)	1
09	WE20504-23005147	Punta para Pistola TW1 MC-31	1
10	WE20504-33810090	Perno para Gatillo de Pistola D.4x16ZN	1
11	WE20504-21200010	Contacto Rápido 6,3x0,8	1
12	WE20504-33800009	Resorte para Pistola Sin Gas	1
13	WE20504-21020012	Tornillo Autorroscante TCC 3,9x16	5
14	WE20504-22910001	Conector Rápido D.4 M6x0,75	1
15	WE20504-23005131	Cubierta de Cable Inoxidable 1,4x4 Azul L=2500	1
16	WE20504-30900022	Cubierta Exterior de Goma D.17,5 + Manguera L=2200	1
17	WE20504-30900007	Manguera de Gas Rilsan D.2x4 L=3200	1
18	WE20504-23005148	Cuello de Manguera de Gas con Cubierta Exterior y Difusor	1
19	WE20504-23005144	Cuello de Manguera de Gas con Válvula de Gas	1

SOLDADORA CON ALIMENTADOR DE ALAMBRE MODELO 196.205040





GRADUACIONES SUGERIDAS PARA LA SOLDADORA

Las siguientes sólo son recomendaciones. Las variaciones en la corriente de suministro, en las posiciones para soldar y en el alambre soldador afectarán las características de la soldadura. Usar las graduaciones sugeridas de voltaje y de velocidad de alimentación del alambre soldador como punto de partida y modificarlos según las variables tales como el grosor de la soldadura, velocidad de desplazamiento de la pistola, ángulo de soldar, limpieza del metal, etc.

		ESPESOR DEL ACERO							Voltage de velocidad de alimentación del alambre			
PROCEDIMIENTO	ALAMBRE SOLDADOR	GAS	Cal. 24 0,024" 0,61mm	Cal. 22 0,030" 0,76mm	Cal. 18 0,048" 1,2mm	Cal. 16 0,060" 1,5mm	Cal. 12 0,10" 2,5 mm	0,25" 6,3 mm	MAX-C alambre: 8	MAX-B alambre: 5	MAX-C alambre: 8	MAX-C alambre: 8
SIN GAS CD (-)	Alambre Autofund. 0,8mm (0,30")	Ninguno	X	MIN-B alambre: 2	MAX-A alambre: 5	MIN-C alambre: 4	MAX-B alambre: 5	MAX-C alambre: 8	MAX-B alambre: 5	MAX-C alambre: 8	MAX-C alambre: 8	MAX-C alambre: 8
	Alambre de Acero 0,6mm (0,024")	C25 (75% Argón, 25% CO ₂)	MIN-A alambre: 2	MIN-B alambre: 2	MAX-A alambre: 5	MIN-C alambre: 5	MAX-B alambre: 5	MAX-C alambre: 8	MAX-B alambre: 5	MAX-C alambre: 8	MAX-C alambre: 8	MAX-C alambre: 8
MIG CD (+)	Alambre de Acero. 0,8mm (0,30")	C25 (75% Argón, 25% CO ₂)	X	MIN-B alambre: 3	MIN-C alambre: 5	MAX-A alambre: 5	MAX-B alambre: 5	MAX-C alambre: 8	MAX-B alambre: 5	MAX-C alambre: 8	MAX-C alambre: 8	MAX-C alambre: 8

Get it fixed, at your home or ours!

Your Home

For troubleshooting, product manuals and home solutions advice:

manage my home

www.managemyhome.com

For repair – **in your home** – of **all** major brand appliances, lawn and garden equipment, or heating and cooling systems, **no matter who made it, no matter who sold it!**

For the replacement parts, accessories and owner's manuals that you need to do-it-yourself.

For Sears professional installation of home appliances and items like garage door openers and water heaters.

1-800-4-MY-HOME[®]

(1-800-469-4663)

www.sears.com

Call anytime, day or night

(U.S.A. and Canada)

www.sears.ca

Our Home

For repair of carry-in items like vacuums, lawn equipment, and electronics, call anytime for the location of the nearest

Sears Parts & Repair Service Center

1-800-488-1222 (U.S.A.)

www.sears.com

1-800-469-4663 (Canada)

www.sears.ca

To purchase a protection agreement on a product serviced by Sears:

1-800-827-6655 (U.S.A.)

1-800-361-6665 (Canada)

Para pedir servicio de reparación a domicilio, y para ordenar piezas:

1-888-SU-HOGAR[®]

(1-888-784-6427)

www.sears.com

Au Canada pour service en français:

1-800-LE-FOYER^{MC}

(1-800-533-6937)

www.sears.ca

Sears