

FORNEY INDUSTRIES

SAFETY DATA SHEET

PAGE: 1 OF 2

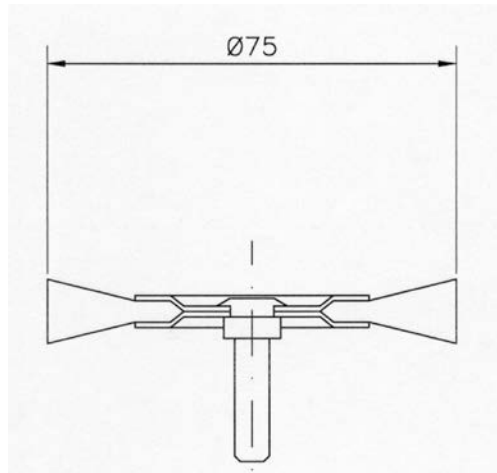
DATE: 11-03-2004

60014

SECTION I. PRODUCT DESCRIPTION

Wheel with ¼" shank. 2" outside diameter, crimped steel wire gauge .012", FORNEY markings and packaging. Maximum safety RPM: 6,000. Recommended RPM: 4,500

SECTION II. PHYSICAL DATA AND DIMENSIONS



**According to above drawing, 2" diameter,
Total N° of .012" wire ends in the brush: 1,600
Weight of total product: 65 grs.**

SECTION III. CHEMICAL COMPOSITION OF WIRE

Steel Wire with following chemical composition:

C = 0,65 – 0,85%

Mn = 0,40 – 0,80%

Si = 0,15 – 0,30 %

There is no special requirements nor standards in the technical brushware industry related to the steel wires used in our products.

DATE: 11-03-2004

60014

SECTION IV. SAFETY DATA

The European Standard EN 1083-2 about Safety Requirements in the use of Power-driven brushes states the safety instructions that all brush operators must observe. These requirements and common safety practices will reduce the likelihood of physical injury and brush fail: Wear safety goggles, protective clothing and equipment. Observe all speed restrictions indicated on the brushes, packaging or catalogue.

And do not exceed Maximum Safe Free Speed (Max. RPM) under any circumstances.

Keep machine guards in place.

Do not use deteriorated brushes

The power tool speed influences the performance of the brush and the safety of the operator. If load speed marked on the power tool is higher than the brush Maximum RPM do not mount brush. Maximum RPM are indicated on brush side-plates and shall never be exceeded. For most brushing applications optimum results are achieved at the Recommended RPM specified in our catalogue for every power driven brush.